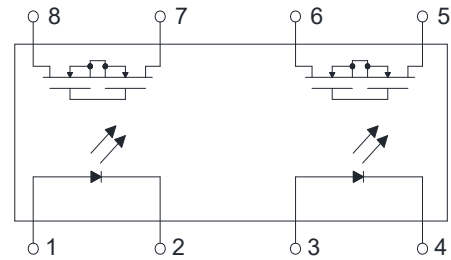


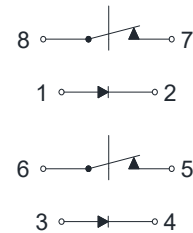
● Description

The KAQW412 series contains two normally close switches that can be used as two independent SPST relays or as one DPST relay. The relay is constructed using a GaAlAs LED for actuation control and an integrated monolithic dies for the switch output. The die, fabricated in a high-voltage dielectrically isolated technology, is comprised of a photodiode array, switch control circuitry and MOSFET switches.

● Schematic



DUAL 1 FORM B
NORMALLY CLOSE



● Features

1. Normally close, double pole single throw
2. Control 60V AC or DC voltage
3. Switch 200mA loads
4. Controls low-level analog signals
5. High sensitivity, low ON resistance
6. Low-level off-state leakage current
7. High isolation voltage 5KV (DIP/ SMD)
8. Pb free and RoHS compliant
9. MSL class 1
10. Agency Approvals :
 - UL Approved (No. E169586, E108430): UL1577, UL508
 - c-UL Approved (No. E169586, E108430)
 - VDE Approved (No. 40053989): EN60747-5-5

● Application

- Telecommunications (PC, electronic notepad)
- Modem
- Telephone equipment
- Security equipment
- Sensors
- Measuring and testing equipment
- Factory automation equipment
- High speed inspection machines

深圳市大靖科技有限公司

www.sz-djkj.com

专营：COSMO（冠西）全系列光耦继电器

原装正品，国内库存，当天发货，技术支持

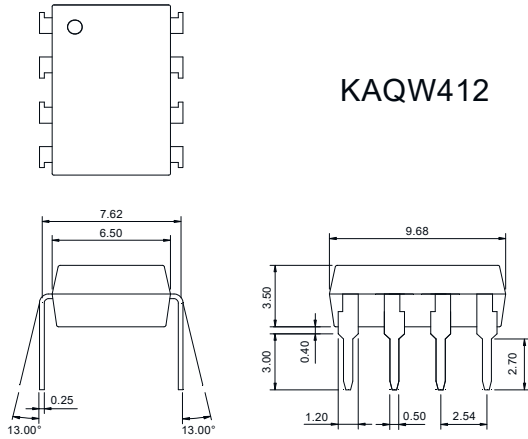
电话：0755-23611637/23611737 传真：0755-23611837

<http://www.cosmo-ic.com>

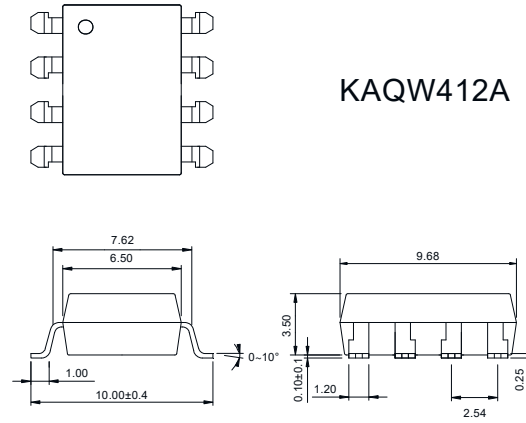
● **Outside Dimension**

Unit : mm

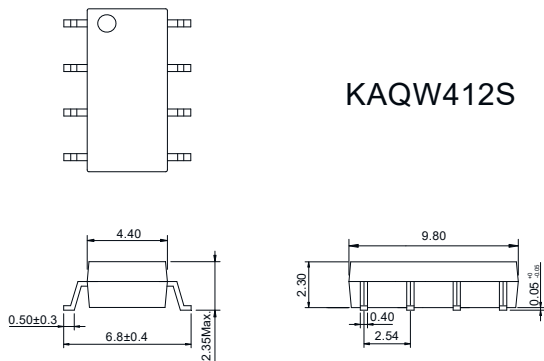
1. Dual-in-line type.



2. Surface mount type.

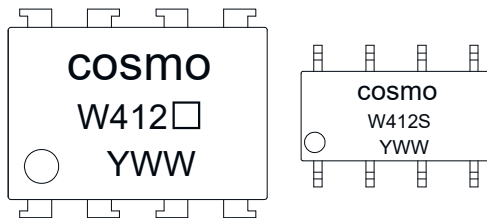


3. Small outline for surface mount type.



TOLERANCE : ±0.2mm

● **Device Marking**



Notes :

COSMO

- W412□ □(Blank): DIP or SMD
- W412S S : SOP
- YWW Y : Year code / W : Week code

● Absolute Maximum Ratings

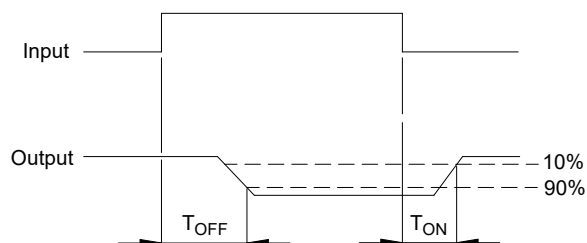
(Ta=25°C)

| Item | | Symbol | Rating | Unit |
|----------------------------------|----------------------------|-----------|-----------------------------|----------------------------|
| Input | Continuous forward current | I_F | 50 | mA |
| | Peak forward current | I_{FP} | 1 | A |
| | Reverse voltage | V_R | 5 | V |
| | Power dissipation | P_{in} | 100 | mW |
| | Derate linearly from 25°C | - | 1.3 | mW/°C |
| Output | Breakdown voltage | V_B | 60 | V |
| | Continuous load current | I_L | 200 | mA |
| | Power dissipation | P_{out} | 500 | mW |
| Isolation voltage | | V_{iso} | KAQW412S 1500Vrms | KAQW412 5000Vrms |
| Isolation resistance (Vio=500V) | | | R_{iso} | $\geq 10^{10}$ |
| Total power dissipation | | P_t | 550 | mW |
| Derate linearly from 25°C | | - | 2.5 | mW/°C |
| Operating temperature | | T_{opr} | -40 to +85 | °C |
| Storage temperature | | T_{stg} | -40 to +125 | °C |
| Junction temperature | | T_j | 100 | °C |
| Soldering temperature 10 seconds | | T_{sot} | 260 | °C |

● Electro-optical Characteristics

(Ta=25°C)

| Parameter | | Symbol | Conditions | Min. | Typ. | Max. | Unit |
|--------------------|---------------------------|------------|---|------|------|------|---------------|
| Input | Forward voltage | V_F | $I_F=10\text{mA}$ | - | 1.2 | 1.5 | V |
| | Operation input current | I_{FOFF} | $V_L=20\text{V}, I_L \leq 5\mu\text{A}$ | - | - | 3.0 | mA |
| | Recovery input current | I_{FON} | $V_L=20\text{V}, I_L=100\text{mA}$ | 0.2 | - | - | mA |
| Output | Breakdown voltage | V_B | $I_B=50\mu\text{A}, I_F=10\text{mA}$ | 60 | - | - | V |
| | Off-state leakage current | I_{LEAK} | $V_L=60\text{V}, I_F=5\text{mA}$ | - | 1.0 | 2.0 | μA |
| I/O capacitance | | C_{iso} | $V_B=0\text{V}, f=1\text{MHz}$ | - | 6 | - | pF |
| ON resistance | | R_{ON} | $I_F=0\text{mA}, I_L=100\text{mA}$ | - | 2.5 | 5 | Ω |
| Reverse (ON) time | | T_{ON} | $I_F=10\text{mA}, V_L=20\text{V}$ | - | 0.6 | 1.5 | ms |
| Operate (OFF) time | | T_{OFF} | $I_L=100\text{mA}, t=10\text{ms}$ | - | 0.3 | 1.5 | ms |

● Turn-on / Turn-off Time


● **Schematic and Wiring Diagrams**

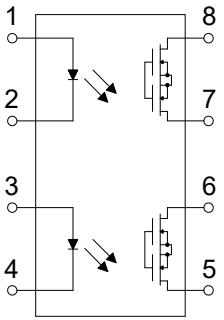
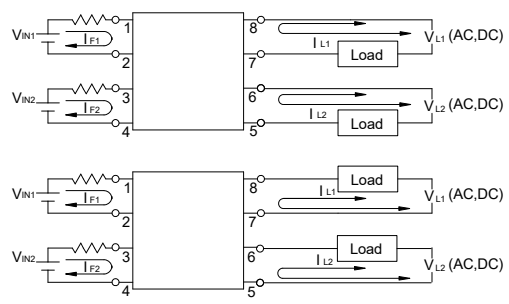
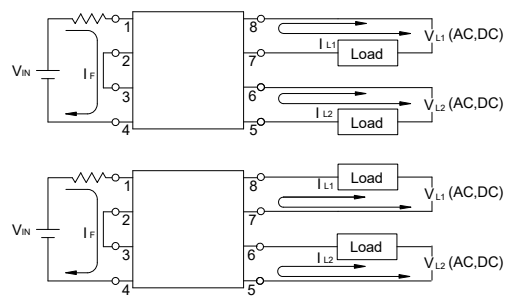
| Schematic | Output Configuration | Load | Connection | Wiring Diagrams |
|---|----------------------|----------|------------|--|
|  | 2b | AC DC | - | <p>(1) Two independent 1 Form B use</p>  <p>(2) 2 Form B use</p>  |

Fig.1 Load Current vs. Ambient Temperature

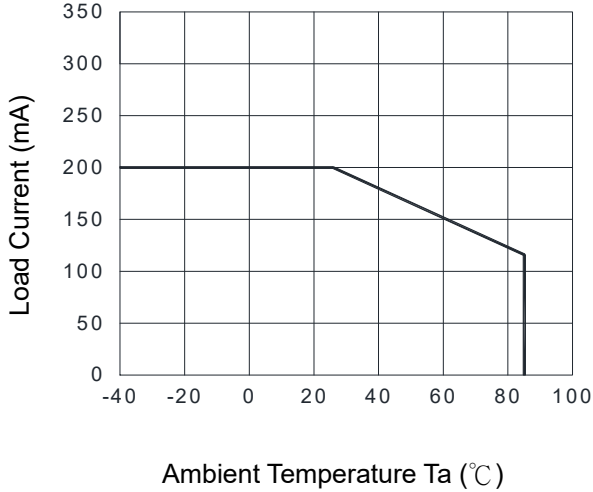


Fig.2 On Resistance vs. Ambient Temperature

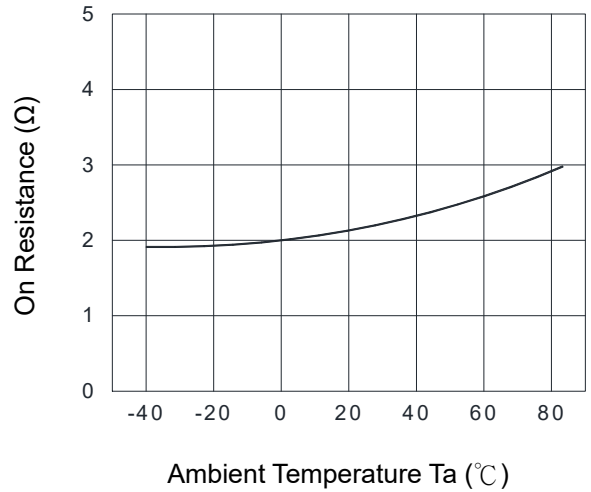


Fig.3 Operate (OFF) Time vs. Ambient Temperature

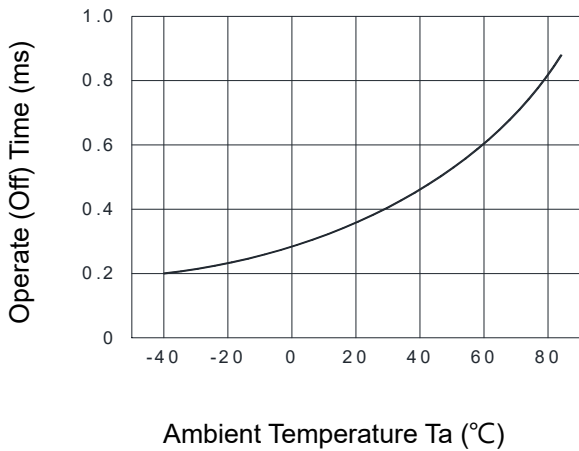


Fig.4 Reverse (ON) Time vs. Ambient Temperature

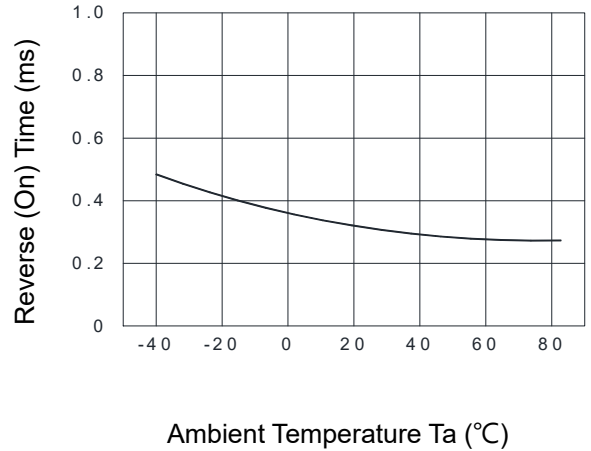


Fig.5 LED Operate Current vs. Ambient Temperature

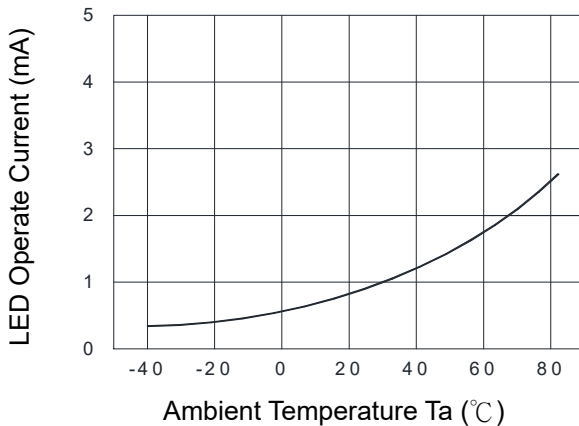


Fig.6 LED Turn-off Current vs. Ambient Temperature

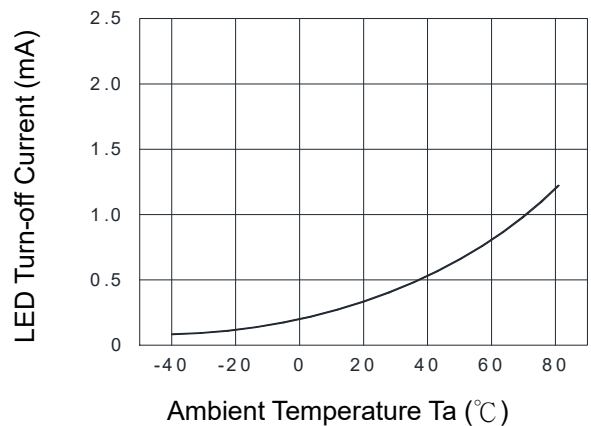


Fig.7 LED Dropout Voltage vs. Ambient Temperature

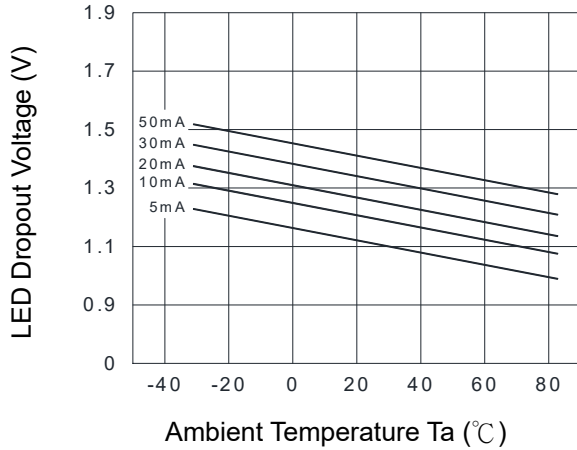


Fig.8 Voltage vs. Current Characteristics of Output at MOSFET Portion

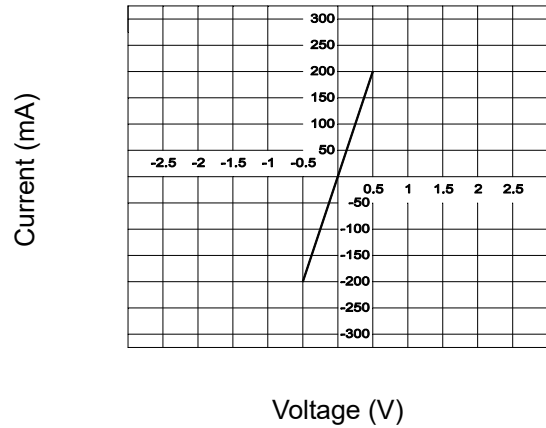


Fig.9 Operate (OFF) Time vs. LED Forward Current

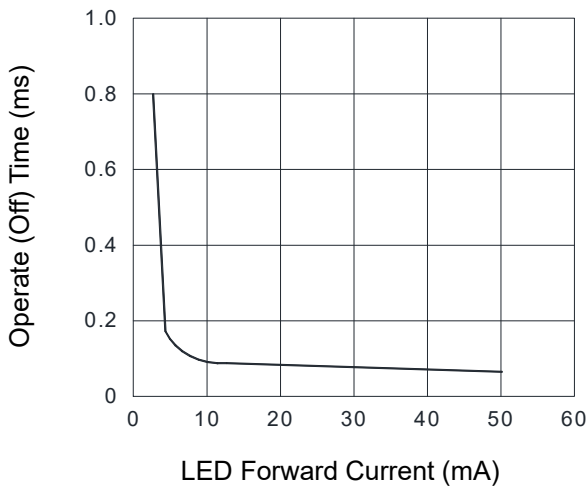


Fig.10 Off-state Leakage Current vs. Load Voltage

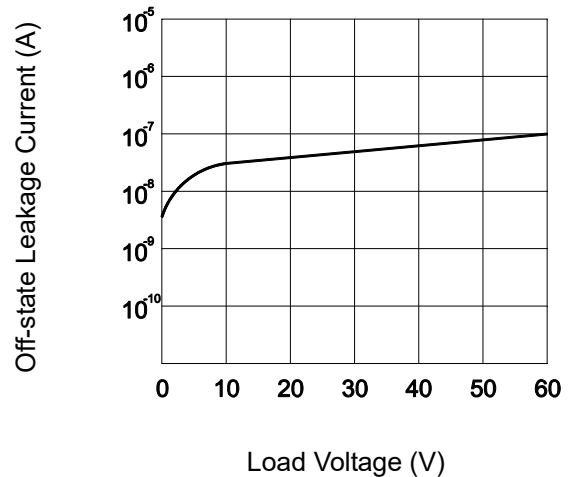


Fig.11 Reverse (ON) Time vs. LED Forward Current

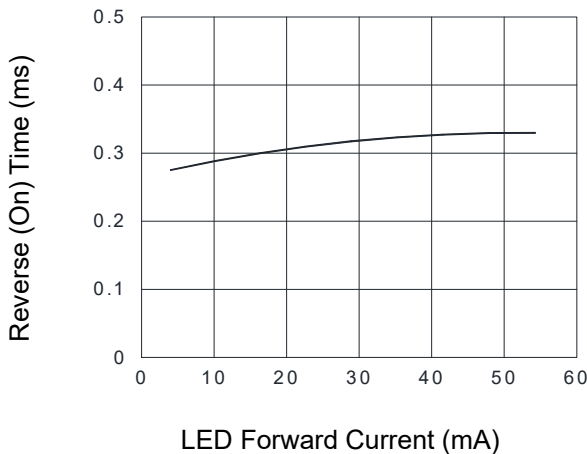
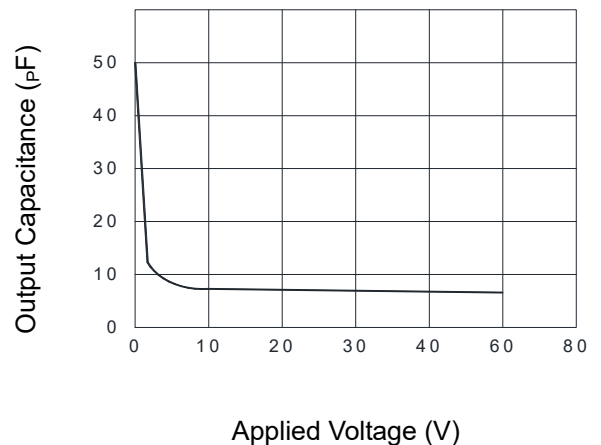
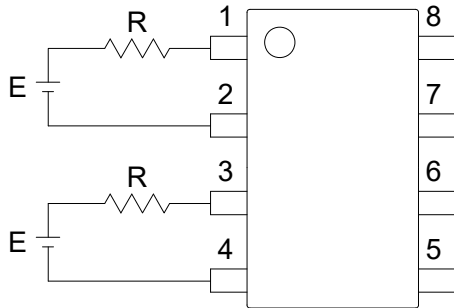


Fig.12 Output Capacitance vs. Applied Voltage



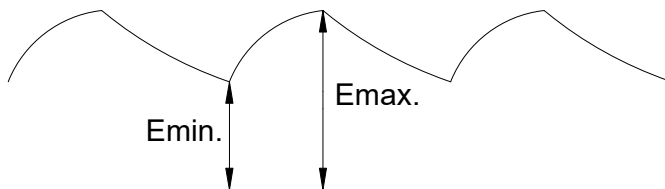
● Using Methods

Examples of resistance value to control LED forward current ($I_f=5\text{mA}$)

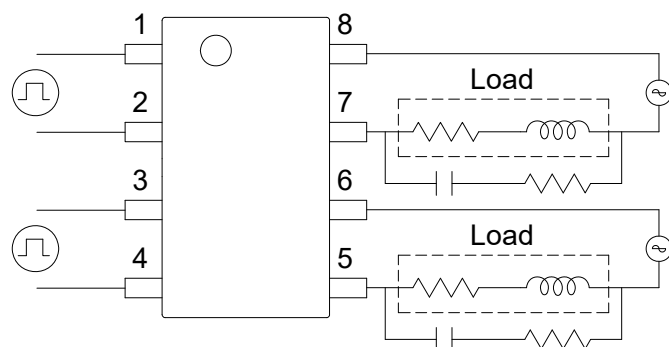
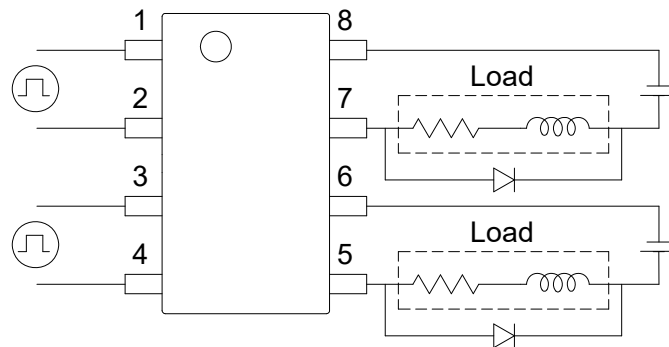


| E | R |
|------|-----------------------|
| 3.3V | Approx. 330 Ω |
| 5V | Approx. 640 Ω |
| 12V | Approx. 1.9K Ω |
| 15V | Approx. 2.5K Ω |
| 24V | Approx. 4.1K Ω |

1. LED forward current must be more than 5mA · at E min.
2. LED forward current must be less than 50mA · at E max.



Regulate the spike voltage generated on the inductive load as follows :



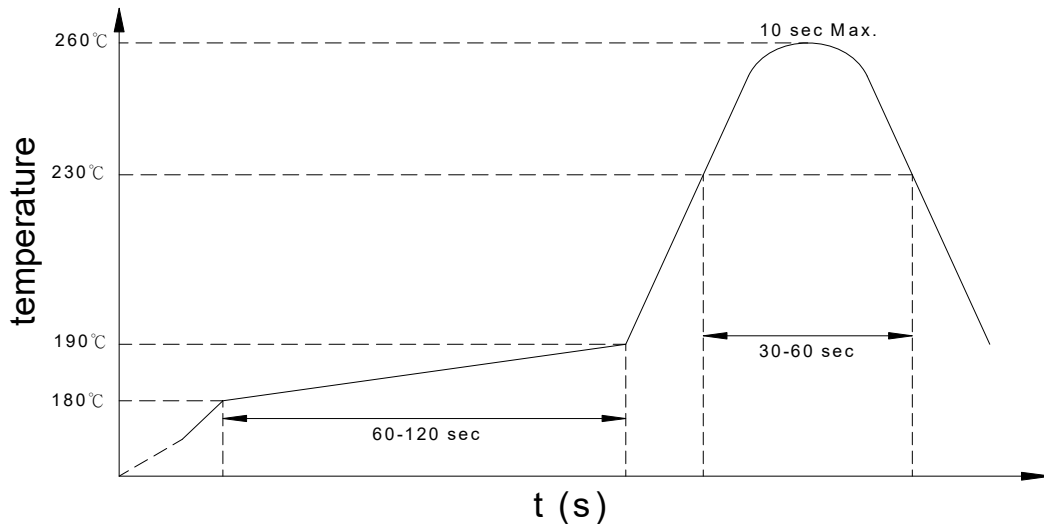
R-C Snubber

● **Recommended Soldering Conditions**

(a) Infrared reflow soldering :

- Peak reflow soldering : 260°C or below (package surface temperature)
- Time of peak reflow temperature: 10 sec
- Time of temperature higher than 230°C : 30-60 sec
- Time to preheat temperature from 180~190°C : 60-120 sec
- Number of reflows : Two
- Flux : Rosin flux containing small amount of chlorine (The flux with a maximum chlorine content of 0.2 Wt% is recommended.)

Recommended Temperature Profile of Infrared Reflow



(b) Wave soldering :

- Temperature : 260°C or below (molten solder temperature)
- Time : 10 seconds or less
- Preheating conditions: 120°C or below (package surface temperature)
- Number of times : One
- Flux : Rosin flux containing small amount of chlorine (The flux with a maximum chlorine content of 0.2 Wt% is recommended.)

(c) Cautions :

- Fluxes : Avoid removing the residual flux with freon-based and chlorine-based cleaning solvent.
- Avoid shorting between portion of frame and leads.

● **Numbering System**

KAQW412 X (Y)

Note :

KAQW412 = Part No.

X = Lead form option (blank · S or A)

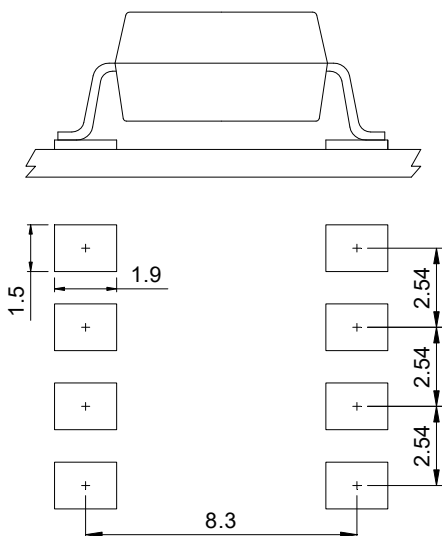
Y = Tape and reel option (TL · TR)

| Option | Description | Packing quantity |
|--------|--|---------------------|
| A (TL) | surface mount type package + TL tape & reel option | 1000 units per reel |
| A (TR) | surface mount type package + TR tape & reel option | 1000 units per reel |
| S (TL) | small outline for surface mount type package + TL tape & reel option | 2000 units per reel |
| S (TR) | small outline for surface mount type package + TR tape & reel option | 2000 units per reel |

● **Recommended Pad Layout for Surface Mount Lead Form**

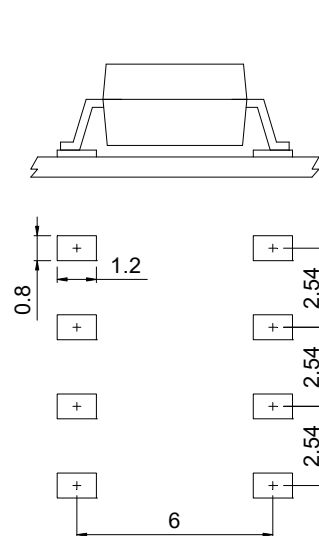
1. Surface mount type.

8-pin SMD



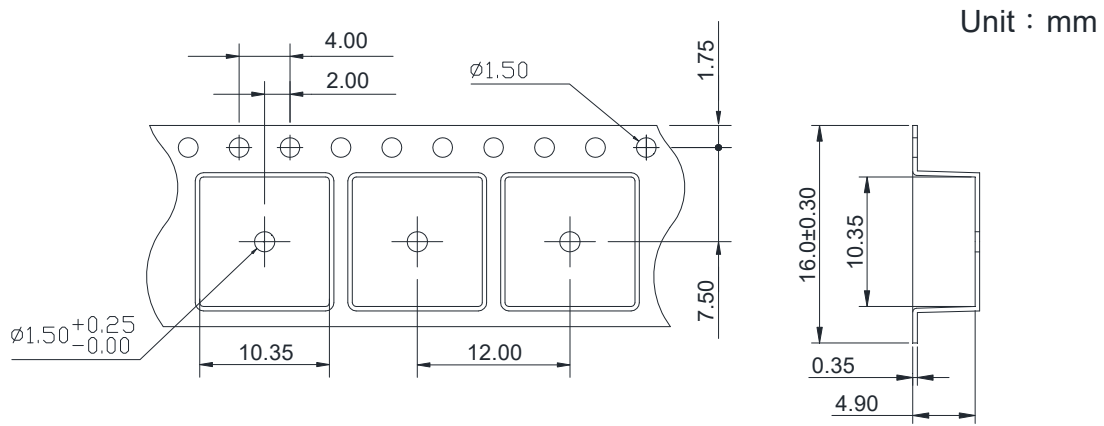
2. Small outline for surface mount type.

8-pin SOP



Unit : mm

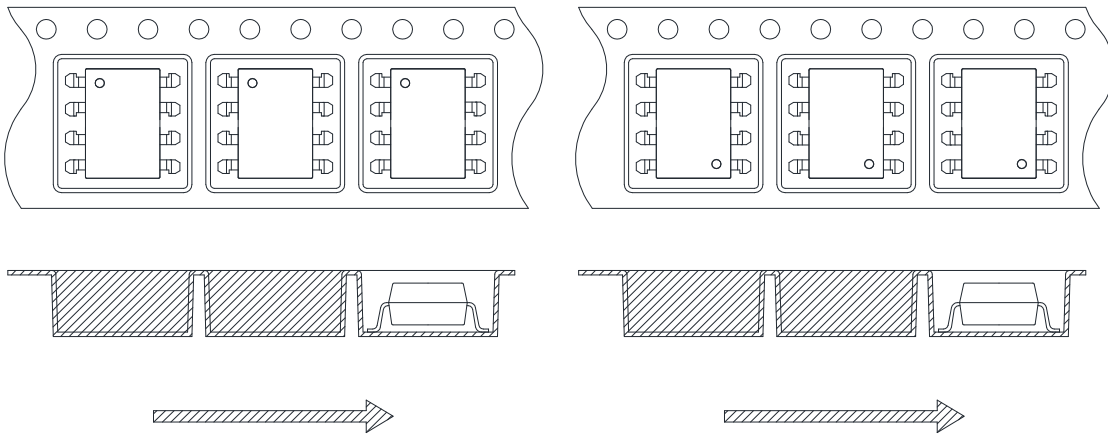
● 8-pin SMD Carrier Tape & Reel



TOLERANCE : ±0.2mm

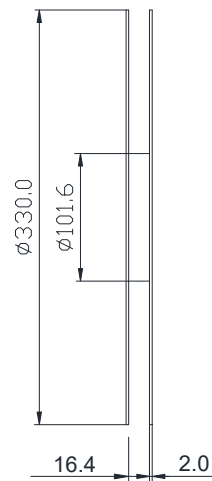
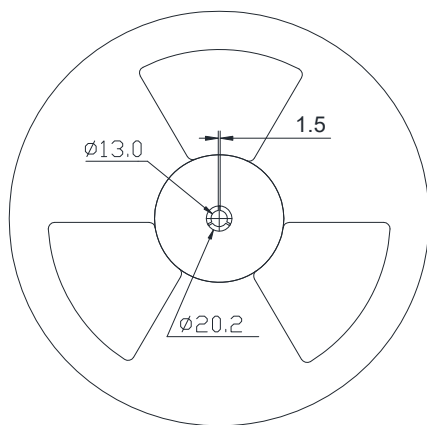
TL

TR

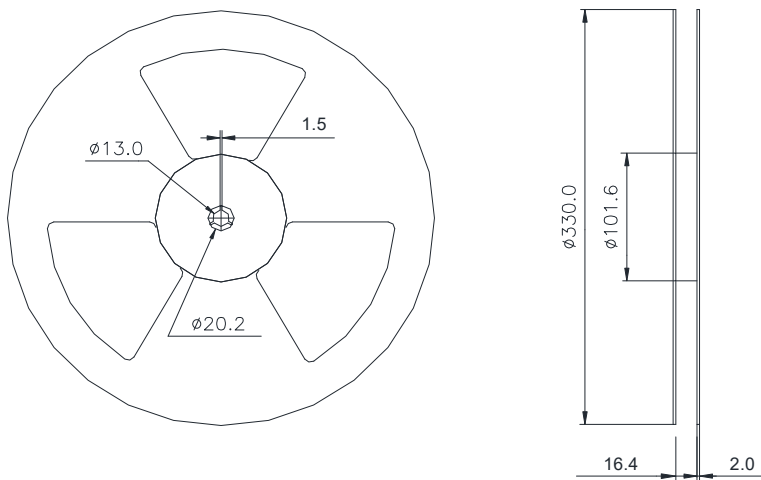
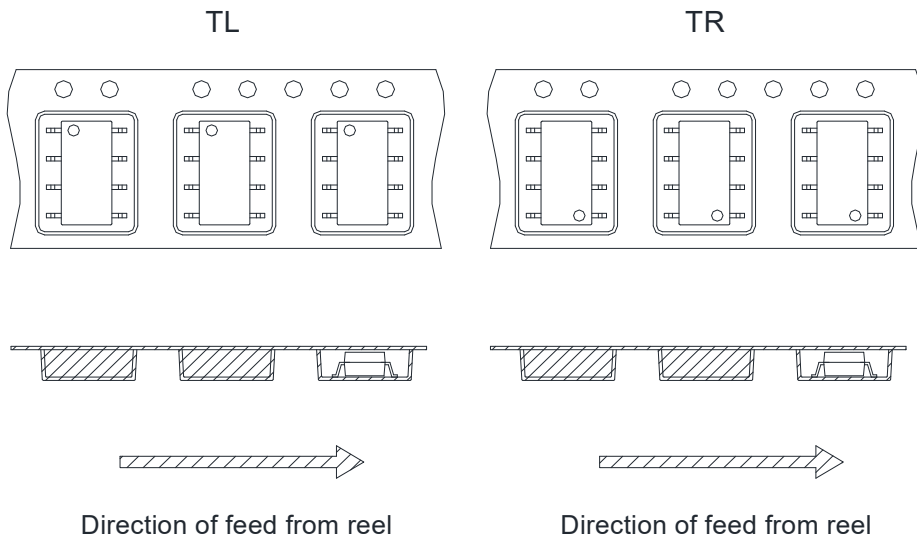
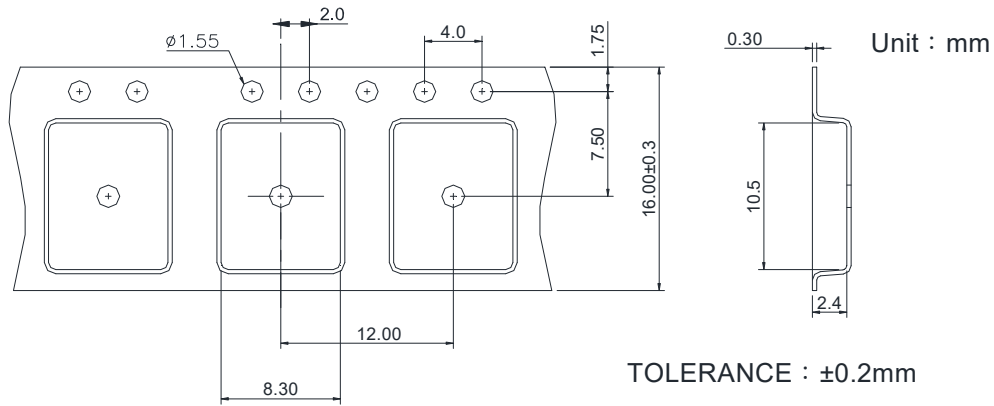


Direction of feed from reel

Direction of feed from reel



● 8-pin SOP Carrier Tape & Reel



- **Application Notice**

The statements regarding the suitability of products for certain types of applications are based on cosmo's knowledge of general applications of cosmo products. Such statements are not binding statements about the suitability of products for a particular application. It is the customer's responsibility to verify the specifications are suitable for use in a particular application. Customers are solely responsible for all aspects of their own product design or applications. The parameters provided in the datasheet may vary in different applications and performance may vary over time. All operating parameters (including typical parameters) must be validated by customer's technical experts for different applications. cosmo assumes no liability for customer' product design or applications. Product specifications do not expand or otherwise change cosmo's terms and conditions of purchase, including but not limited to the warranty expressed therein.

When using cosmo products, please comply with safety standards and instructions. cosmo has no liability and responsibility to the damage caused by improper use of the instructions specified in the specifications.

cosmo products are designed for use in general electronic equipment such as telecommunications, office automation equipments, personal computers, test and measurement equipments, consumer electronics, industrial control, instrumentation, audio, video.

cosmo devices shall not be used in equipment that requires higher level of reliability and safety, such as nuclear power control equipment, telecommunication equipment(trunk lines), space application, medical and other life supporting equipments, and equipment for aircraft, military, automotive or any other application that can cause human injury or death.

cosmo reserves the right to change the specifications, data, characteristics, structure, materials and other contents at any time without notice. Please contact cosmo to obtain the latest specification.

cosmo disclaim any and all liability for any errors, inaccuracies or incompleteness contained in any datasheet or in any other disclosure relating to any product.