

Brighter World Brighter Life

更明亮的世界·更明亮的人生

Optoelectronics SMD CHIP LED



Provide LED Total Solution Since 1981
提供LED全方面的解决方案



佰鴻工業股份有限公司
Bright Led Electronics Corp.



About Bright Led Group

佰鴻工業成立於1981年，是一家具有三十多年生產銷售經驗的LED光電元件專業製造廠商，也是台灣知名的LED股票上市公司。

集團營運總部位在台灣新北市，在香港、韓國首爾、美國加州等國外地區分別成立銷售分公司，同時也在世界各地建立了經銷代理網絡服務全球客戶，為了加強中國大陸市場的拓展，在中國地區成立了許多銷售通路及辦事處，進行LED照明光源及燈具的推廣及客戶服務。

主要生產基地在中國廣東東莞，主力產品包括數碼管、直插發光二極體、貼片發光二極體（SMD）、大功率LED、COB、紅外線產品及LED車燈、路燈、隧道燈、天井燈、投射燈、燈泡、燈管、平板燈、筒燈、號誌燈、全彩看板、植物生長燈等，藉由轉投資的藍寶石廠、LED晶片廠、支架PCB衝壓加工、及塑膠射出...等多家關係企業的垂直整合下，形成LED產業鏈，能提供最佳性價比的產品給客戶。

佰鴻工業擁有光、電、機、熱方面的專業研發團隊，開發LED在照明應用上的先進技術，提供四十多篇國內外專利申請。未來佰鴻工業將續以LED專業製造廠的角色，不斷地提供人類更節能、更環保、更變化的新世代照明。



Bright LED, founded in 1981, is a professional LED optoelectronic manufacturer and a well-known publicly listed LED company in Taiwan market for more than 30 years.

Bright LED group headquarter locates in New Taipei City, Taiwan. We have several sales branches in China, Hong Kong, Japan, Korea, Germany, Singapore, US and other countries as well. Meanwhile, Bright LED also establishes a long term relationship with distributors/dealers around the world to serve global customers with high efficiency and best solution.

In order to strengthen the expansion in China market, we also established offices within several districts of China to promote and sell LED products and to provide customer service.

Our main factory locates in China. Our main products include LED digits display, DIP LED, SMD, high-power LED, invisible, as well as, LED automotive lamps and LED lighting products...etc. The Sapphire subsidiary, wafer factory, PCB assembly factory and other subsidiaries within Bright LED group formed our own upper, middle and lower stream of product supply chains and so contribute much reliable and best C/P products to customers.

Bright LED possesses the outstanding R&D team with their professions in lighting, electronic, electric, and heating areas. We constantly develop advanced technologies in LED field and as a result, we now have more than 40 local and international patents. Bright LED, as a role model of professional LED manufacturer, commits to provide better energy-saving, eco-friendly, and more diversified developments of LED in new era.

BRIEF HISTORY OF BRIGHT LED

- 1981 Company established and started the production of LED Indicator Lamps**
- 1990 Established both Dong Guan factory in China and Distribution Center in Hong Kong**
- 1995 Developed and started SMT LED Production;
Established U.S. SALES OFFICE in L.A. California.**
- 1999 ISO-9001 and QS-9000 certified**
- 2000 New Dong Guan factory started production**
- 2001 Listed at Taiwan OTC**
- 2002 Listed at Taiwan stock exchange market.**
- 2004 ISO 14001 certified RoHS compliance**
- 2005 ISO/TS16949:2002 certified**
- 2013 Established Bright Wonder Science & Technology Park**
- 2014 Established Henan Jinghong Optoelectronics Technology Co., Ltd**
- 2017 IATF16949:2016 certified**



CONTENTS

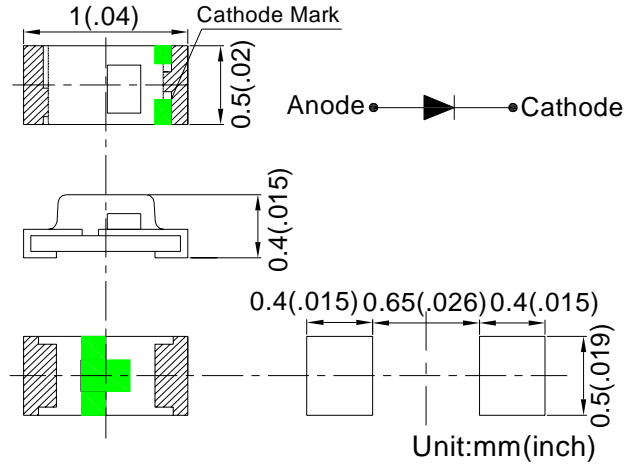
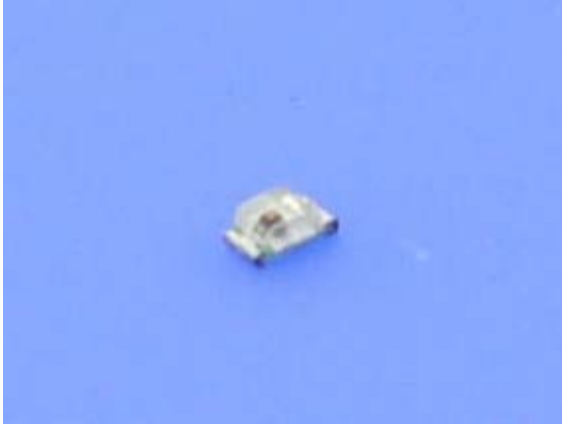
● 0402-0.4T (7A) CHIP LED-----	05
● 0603-0.8T (6D) CHIP LED-----	06
● 0603-0.8T (6R) CHIP LED-----	07
● 0603-0.6T (6A) CHIP LED-----	08
● 0603-0.6T (6P) CHIP LED-----	09
● 0603-0.6T (6F) (Bi-color) CHIP LED-----	10
● 0603-0.6T (6B) (Bi-color) CHIP LED-----	11
● 0603-0.4T (6G) CHIP LED-----	12
● 0603-0.4T (6N) CHIP LED-----	13
● 0605-0.6T (6J) (Bi-color) CHIP LED-----	14
● 0605-0.6T (6E) (Bi-color) CHIP LED-----	15
● 0605-0.4T (6H) (Multi-color) CHIP LED-----	16
● 0605-0.4T (6M) (Multi-color) CHIP LED-----	17
● 0605-0.4T (6T) (Multi-color) CHIP LED-----	18
● 0802-1.0T (4E) CHIP LED-----	19
● 0805-1.0T (5A) CHIP LED-----	20
● 0805-1.0T (5B) CHIP LED-----	21
● 1204-2.0T (4A) CHIP LED-----	22
● 1204-2.0T (4B) (Bi-color) CHIP LED-----	23
● 1204-2.0T (4J) (Bi-color) CHIP LED-----	24
● 1204-2.0T (4H) (Bi-color) CHIP LED-----	25
● 1204-1.7T (4C) CHIP LED-----	26
● 1204-1.35T (4S) (Multi-color) CHIP LED-----	27
● 1206-2.55T (3K) CHIP LED-----	28
● 1206-2.55T (3J) CHIP LED-----	29
● 1206-1.4T (3A) CHIP LED-----	30
● 1206-1.1T (3C) CHIP LED-----	31
● 1206-1.1T (3H) CHIP LED-----	32
● 1206-1.1T (33) CHIP LED-----	33
● 1206-0.5T (3Q) CHIP LED-----	34
● 1206-1.1T (3X) (Bi-color) CHIP LED-----	35
● 1206-1.0T (3D) CHIP LED-----	36



CONTENTS

● 1210-1.1T (3B) (Bi-color) CHIP LED-----	37
● 1210-1.1T (3F) (Bi-color) CHIP LED-----	38
● 1210-1.1T (3T) (Multi-color) CHIP LED-----	39
● 361-2.7T AXIAL LED -----	40
● 361-F2-2.7T AXIAL LED -----	41
● 361-F3-2.7T AXIAL LED -----	42
● 361-F4-2.7T AXIAL LED -----	43
● 361-TR7-2.7T AXIAL LED -----	44
● 361-TR8-2.7T AXIAL LED -----	45
● 361-TR9-2.7T AXIAL LED -----	46
● 362-1.35T AXIAL LED -----	47
● RGB-0.75T (Multi-color) CHIP LED-----	48
● 0402-0.4T-Tapping CHIP LED-----	49
● 0603-0.8T-Tapping CHIP LED-----	50
● 0603-0.6T-Tapping CHIP LED-----	51
● 0603-0.4T-Tapping CHIP LED-----	52
● 0605-0.4T-Tapping CHIP LED-----	53
● 0605-0.4T-Tapping CHIP LED-----	54
● 0802-0.6T-Tapping CHIP LED-----	55
● 0805-1.0T-Tapping CHIP LED-----	56
● 1204-2.0T-Tapping CHIP LED-----	58
● 1204-2.0T-Tapping CHIP LED-----	59
● 1206-2.55T-Tapping CHIP LED-----	60
● 1206-2.55T-Tapping CHIP LED-----	61
● 1206-2.55T-Tapping CHIP LED-----	62
● 1206-1.1T-Tapping CHIP LED-----	63
● 1206-1.1T-Tapping CHIP LED-----	64
● 1206-1.1T-Tapping CHIP LED-----	65
● 1210-1.1T-Tapping CHIP LED-----	66
● TR7-2.7T-Tapping AXIAL LED-----	67
● TR8-2.7T-Tapping AXIAL LED-----	68
● TR9-2.7T-Tapping AXIAL LED-----	69

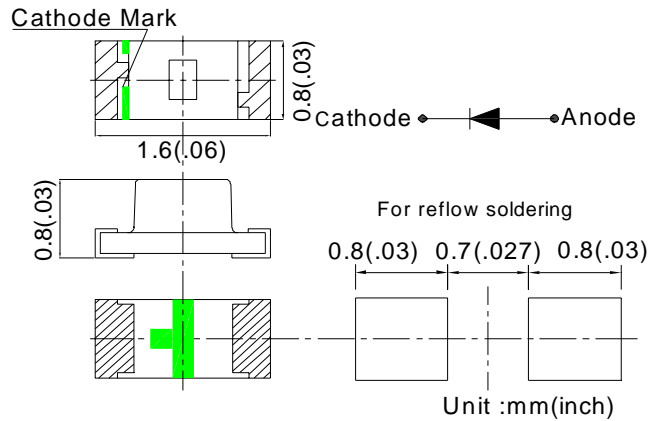
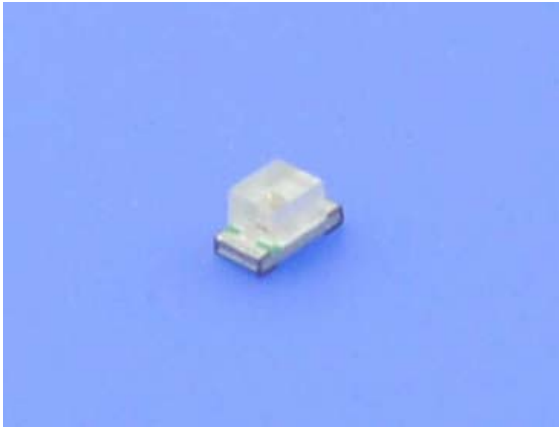
SMD LED 0402-0.4T



Part No.	Emitted Color	λd (nm)	Lens Appearance	Vf(V) @I _F =5mA		IV(mcd) @I _F =5mA		Viewing Angle 2θ _{1/2} (deg)
				Typ.	Max.	Min.	Typ.	
BL-HB337A	Blue	460-475	Transparent	2.8	3.2	28	63	120°
BL-HGK37A	Green	520-535		2.6	3.2	63	140	

Part No.	Emitted Color	λd (nm)	Lens Appearance	Vf(V) @I _F =20mA		IV(mcd) @I _F =20mA		Viewing Angle 2θ _{1/2} (deg)
				Typ.	Max.	Min.	Typ.	
BL-HG837A	Green	520-535	Transparent	3.2	3.6	140	317	120°
BL-HGE37A	Yellow Green	566-576		2.2	2.6	18.5	42	
BL-HKC37A	Yellow	584-594		2.2	2.6	63	120	
BL-HJC37A	Amber	600-610		2.2	2.6	63	140	
BL-HJE37A	Orange Red	615-625		2.2	2.6	63	100	
BL-HUB37A	Red	620-640		2.2	2.6	28	63	

SMD LED 0603-0.8T

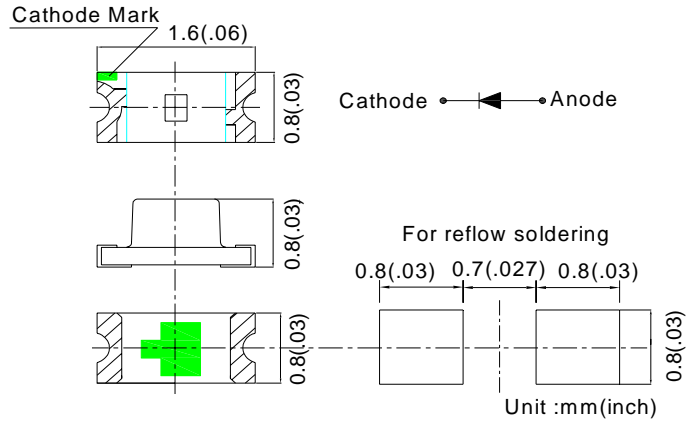
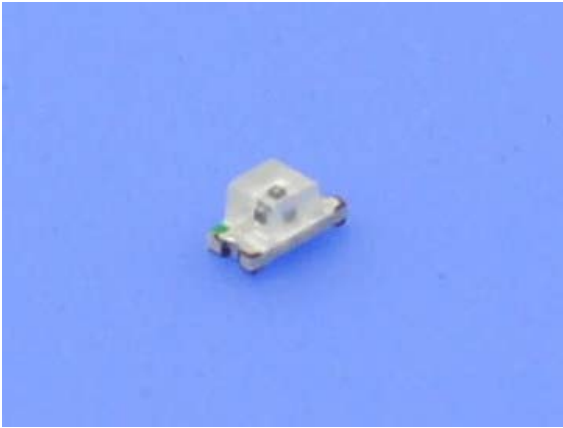


Part No.	Emitted Color	λ d(nm)	Lens Appearance	Vf(V) @I _F =5mA		IV(mcd) @I _F =5mA		Viewing Angle 2θ 1/2 (deg)
				Typ.	Max.	Min.	Typ.	
BL-HB336D	Blue	460-475	Transparent	2.8	3.2	28	63	120°
BL-HGK36D	Green	520-535		2.6	3.2	63	140	

Part No.	Emitted Color	λ d(nm)	Lens Appearance	Vf(V) @I _F =20mA		IV(mcd) @I _F =20mA		Viewing Angle 2θ 1/2 (deg)
				Typ.	Max.	Min.	Typ.	
BL-HG836D	Green	520-535	Transparent	3.2	3.6	140	317	120°
BL-HW136D	Green	558-568		2.2	2.6	1.6	3.0	
BL-HGE36D	Yellow Green	566-576		2.2	2.6	18.5	42	
BL-HY036D	Yellow	582-592		2.2	2.6	3.7	8.2	
BL-HKC36D	Yellow	584-594		2.2	2.6	63	120	
BL-HJC36D	Amber	600-610		2.2	2.6	63	140	
BL-HJE36D	Orange Red	615-625		2.2	2.6	63	100	
BL-HUB36D	Red	620-640		2.2	2.6	28	63	
BL-HE136D	Red	626-636		2.2	2.6	3.7	18.5	

Part No.	Emitted Color	λ d(nm)	Lens Appearance	Vf(V) @I _F =50mA		IV(mcd) @I _F =50mA		Viewing Angle 2θ 1/2 (deg)
				Typ.	Max.	Min.	Typ.	
BIR-HM136D	IR	940	Transparent	1.2	1.7	0.92	2.57	120°
BIR-HO036D	IR	850	Transparent	1.3	1.8	1.83	3.0	

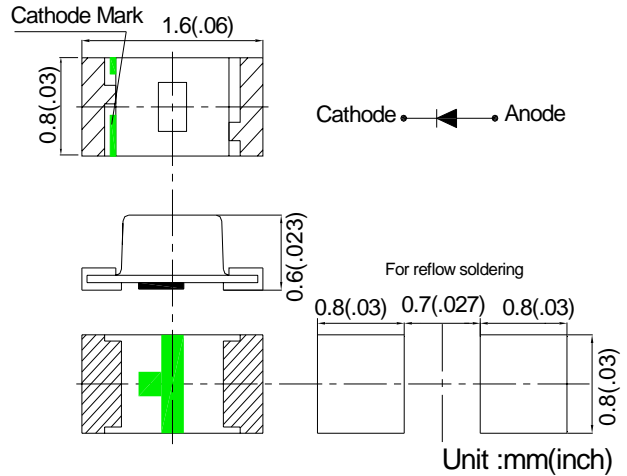
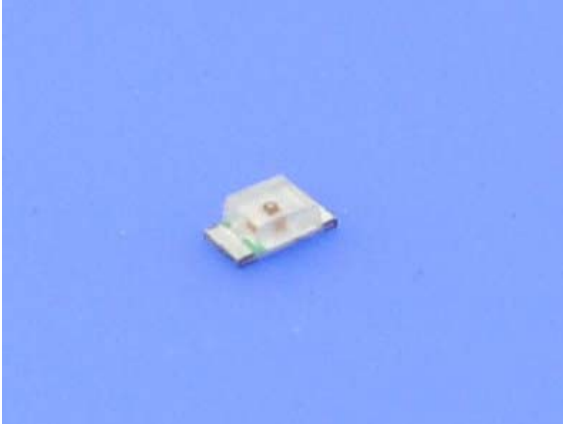
SMD LED 0603-0.8T



Part No.	Emitted Color	λd (nm)	Lens Appearance	Vf(V) @I _F =5mA		IV(mcd) @I _F =5mA		Viewing Angle 2 θ 1/2 (deg)
				Typ.	Max.	Min.	Typ.	
BL-HB336R	Blue	460-475	Transparent	2.8	3.2	28	63	120°

Part No.	Emitted Color	λd (nm)	Lens Appearance	Vf(V) @I _F =20mA		IV(mcd) @I _F =20mA		Viewing Angle 2 θ 1/2 (deg)
				Typ.	Max.	Min.	Typ.	
BL-HGE36R	Yellow Green	566-576	Transparent	2.2	2.6	18.5	42	120°
BL-HKC36R	Yellow	584-594		2.2	2.6	63	120	
BL-HUB36R	Red	620-640		2.2	2.6	28	63	

SMD LED 0603-0.6T

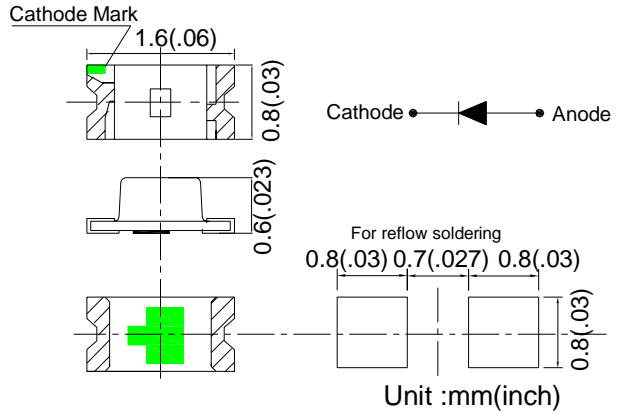
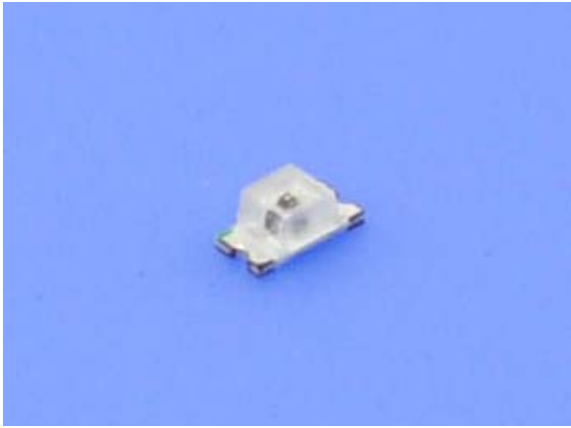


Part No.	Emitted Color	λ d(nm)	Lens Appearance	Vf(V) @I _F =5mA		IV(mcd) @I _F =5mA		Viewing Angle 2θ _{1/2} (deg)
				Typ.	Max.	Min.	Typ.	
BL-HB336A	Blue	460-475	Transparent	2.8	3.2	28	63	120°
BL-HGK36A	Green	520-535		2.6	3.2	63	140	

Part No.	Emitted Color	λ d(nm)	Lens Appearance	Vf(V) @I _F =20mA		IV(mcd) @I _F =20mA		Viewing Angle 2θ _{1/2} (deg)
				Typ.	Max.	Min.	Typ.	
BL-HG836A	Green	520-535	Transparent	3.2	3.6	140	317	120°
BL-HGE36A	Yellow Green	566-576		2.2	2.6	18.5	42	
BL-HKC36A	Yellow	584-594		2.2	2.6	63	120	
BL-HJC36A	Amber	600-610		2.2	2.6	63	140	
BL-HJE36A	Orange Red	615-625		2.2	2.6	63	100	
BL-HUB36A	Red	620-640		2.2	2.6	28	63	
BL-HS136A	Red	638-648		2.2	2.6	5.5	12.3	

Part No.	Emitted Color	λ d(nm)	Lens Appearance	Vf(V)		IV(mcd)		Viewing Angle 2θ _{1/2} (deg)
				Typ.	Max.	Min.	Typ.	
BIR-HM136A	IR	940	Transparent	1.2	1.7	0.92	2.57	120°

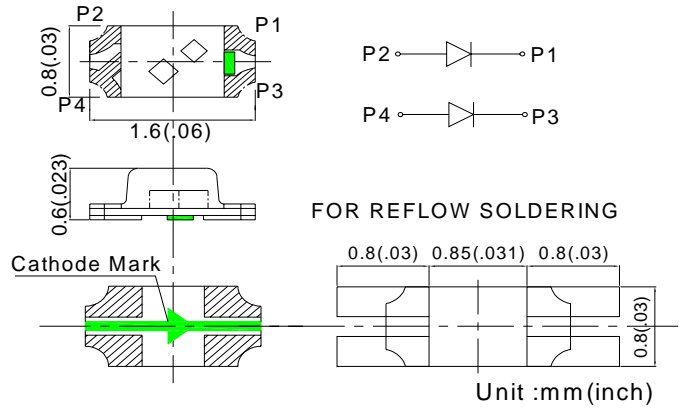
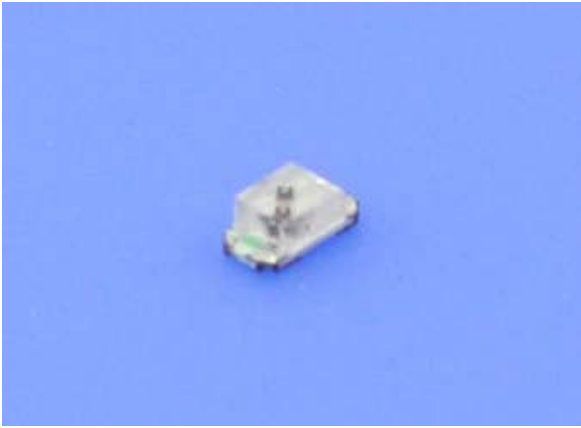
SMD LED 0603-0.6T



Part No.	Emitted Color	λd (nm)	Lens Appearance	Vf(V) @I _F =5mA		IV(mcd) @I _F =5mA		Viewing Angle 2 θ 1/2 (deg)
				Typ.	Max.	Min.	Typ.	
BL-HB336P	Blue	460-475	Transparent	2.8	3.2	28	63	120°

Part No.	Emitted Color	λd (nm)	Lens Appearance	Vf(V) @I _F =20mA		IV(mcd) @I _F =20mA		Viewing Angle 2 θ 1/2 (deg)
				Typ.	Max.	Min.	Typ.	
BL-HGE36P	Yellow Green	566-576	Transparent	2.2	2.6	18.5	42	120°
BL-HKC36P	Yellow	584-594		2.2	2.6	63	120	
BL-HUB36P	Red	620-640		2.2	2.6	28	63	

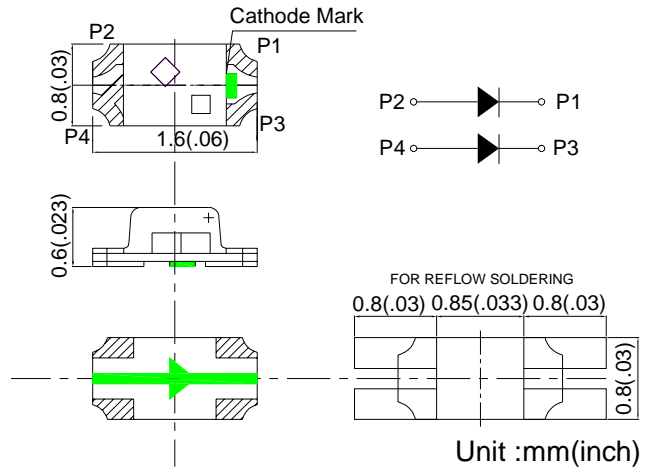
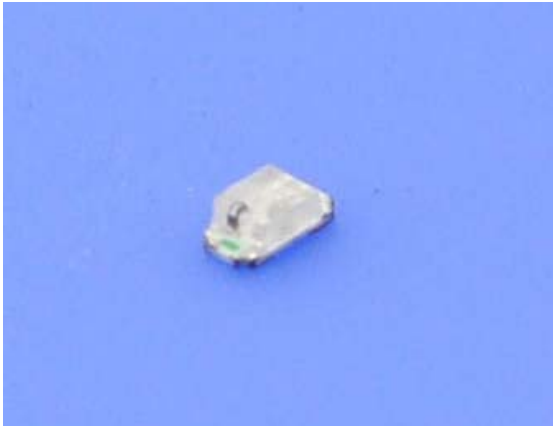
SMD LED 0603-0.6T(Bi-color)



Part No.	Emitted Color	λ d(nm)	Lens Appearance	Vf(V) @ $I_F=5\text{mA}$		IV(mcd) @ $I_F=5\text{mA}$		Viewing Angle $2\theta_{1/2}$ (deg)
				Typ.	Max.	Min.	Typ.	
BL-HUBB336F	Red	620-640	Transparent	2.0	2.4	8.2	20	120°
	Blue	460-475		2.8	3.2	28	63	

Part No.	Emitted Color	λ d(nm)	Lens Appearance	Vf(V) @ $I_F=20\text{mA}$		IV(mcd) @ $I_F=20\text{mA}$		Viewing Angle $2\theta_{1/2}$ (deg)
				Typ.	Max.	Min.	Typ.	
BL-HGEJE36F	Yellow Green	566-576	Transparent	2.2	2.6	18.5	35	120°
	Orange Red	615-625		2.2	2.6	63	120	
BL-HGEKC36F	Yellow Green	566-576		2.2	2.6	18.5	35	
	Yellow	584-594		2.2	2.6	63	120	
BL-HJDGE36F	Orange Red	620-630		2.2	2.6	28	50	
	Yellow Green	566-576		2.2	2.6	18.5	35	

SMD LED 0603-0.6T(Bi-color)

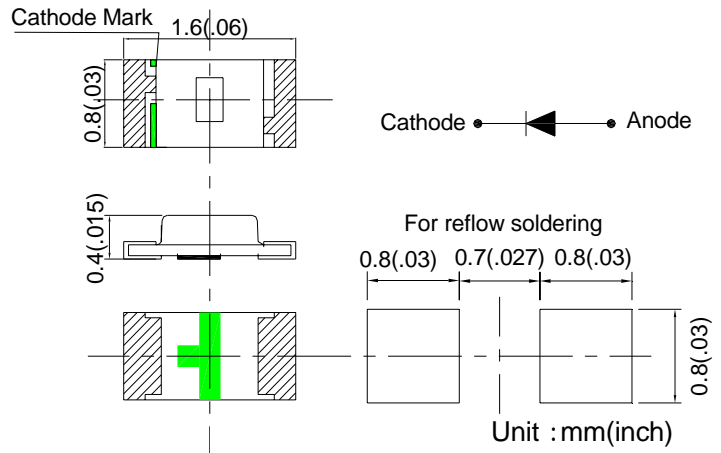
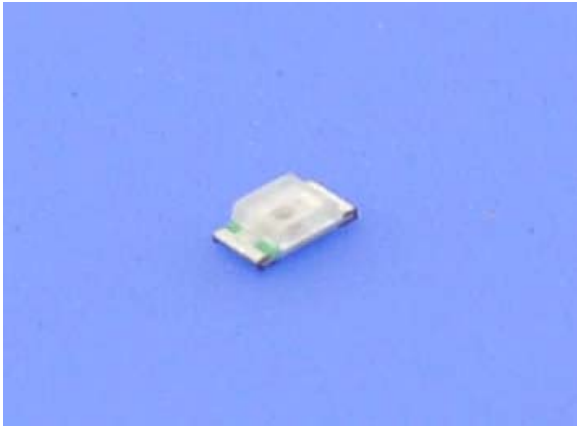


Part No.	Brilliant Color	λd (nm)	Lens Appearance	Vf(V) @I _F =5mA		IV(mcd) @I _F =5mA		Viewing Angle 2 θ 1/2 (deg)
				Typ.	Max.	Min.	Typ.	
BL-HB6JC36B	Blue	475-485	Transparent	3.0	3.4	12.3	28	120°
	Amber	600-610		2	2.4	18.5	35	

Part No.	Brilliant Color	λd (nm)	Lens Appearance	Vf(V) @I _F =5mA		IV(mcd) @I _F =5mA		Viewing Angle 2 θ 1/2 (deg)
				Typ.	Max.	Min.	Typ.	
BL-HGKUB36B	Green	520-535	Transparent	2.8	3.2	63	120	120°
	Red	620-640		2.0	2.4	8.2	25	
BL-HB3UB36B	Blue	460-475		2.8	3.2	28	63	
	Red	620-640		2.0	2.4	8.2	25	

Part No.	Brilliant Color	λd (nm)	Lens Appearance	Vf(V) @I _F =20mA		IV(mcd) @I _F =20mA		Viewing Angle 2 θ 1/2 (deg)
				Typ.	Max.	Min.	Typ.	
BL-HGEUB36B	Yellow Green	566-576	Transparent	2.2	2.6	18.5	35	120°
	Red	620-640		2.2	2.6	28	63	

SMD LED 0603-0.4T

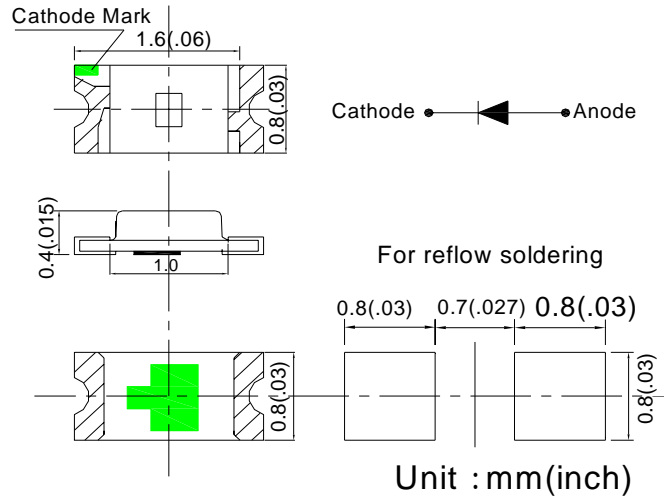


Part No.	Emitted Color	X	Y	Lens Appearance	Vf(V) @ $I_F=5\text{mA}$		IV(mcd) @ $I_F=5\text{mA}$		Viewing Angle $2\theta_{1/2}$ (deg)
		Typ.	Typ.		Typ.	Max.	Min.	Typ.	
BL-HZ336G-L8	White	0.28	0.28	Yellow Clear	2.8	3.2	42	140	120°

Part No.	Emitted Color	λd (nm)	Lens Appearance	Vf(V) @ $I_F=5\text{mA}$		IV(mcd) @ $I_F=5\text{mA}$		Viewing Angle $2\theta_{1/2}$ (deg)
				Typ.	Max.	Min.	Typ.	
BL-HB336G	Blue	460-475	Transparent	2.8	3.2	28	63	120°
BL-HGK36G	Green	520-535		2.6	3.2	63	140	

Part No.	Emitted Color	λd (nm)	Lens Appearance	Vf(V) @ $I_F=20\text{mA}$		IV(mcd) @ $I_F=20\text{mA}$		Viewing Angle $2\theta_{1/2}$ (deg)
				Typ.	Max.	Min.	Typ.	
BL-HG836G	Green	520-535	Brilliant Blue	3.2	3.6	140	317	120°
BL-HGE36G	Yellow Green	566-576		2.2	2.6	18.5	42	
BL-HKC36G	Yellow	584-594		2.2	2.6	63	120	
BL-HJC36G	Amber	600-610		2.2	2.6	63	140	
BL-HJE36G	Orange Red	615-625		2.2	2.6	63	100	
BL-HUB36G	Red	620-640		2.2	2.6	28	63	

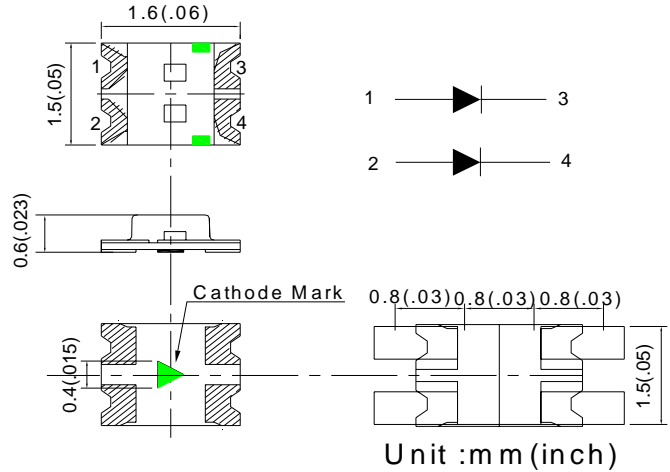
SMD LED 0603-0.4T



Part No.	Emitted Color	λd (nm)	Lens Appearance	Vf(V) @I _F =5mA		IV(mcd) @I _F =5mA		Viewing Angle 2θ _{1/2} (deg)
				Typ.	Max.	Min.	Typ.	
BL-HB336N	Blue	460-475	Transparent	2.8	3.2	28	63	120°
BL-HGK36N	Green	520-535		2.6	3.2	63	140	

Part No.	Emitted Color	λd (nm)	Lens Appearance	Vf(V) @I _F =20mA		IV(mcd) @I _F =20mA		Viewing Angle 2θ _{1/2} (deg)
				Typ.	Max.	Min.	Typ.	
BL-HG836N	Green	520-535	Transparent	3.2	3.6	140	317	120°
BL-HGE36N	Yellow Green	566-576		2.2	2.6	19	42	
BL-HKC36N	Yellow	584-594		2.2	2.6	63	120	
BL-HJC36N	Amber	600-610		2.2	2.6	63	140	
BL-HUB36N	Red	620-640		2.2	2.6	28	63	

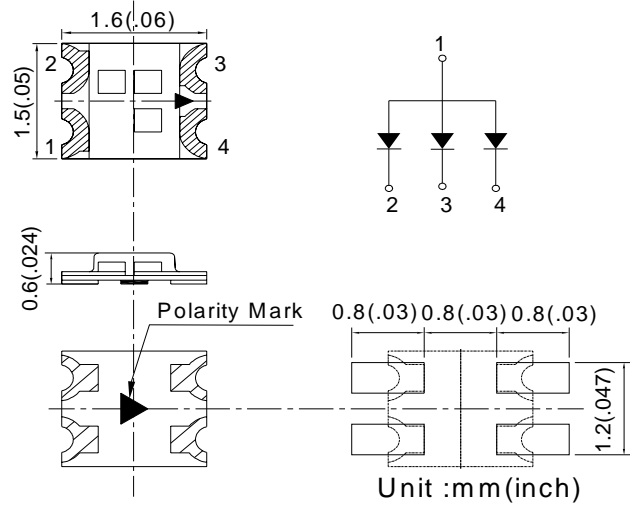
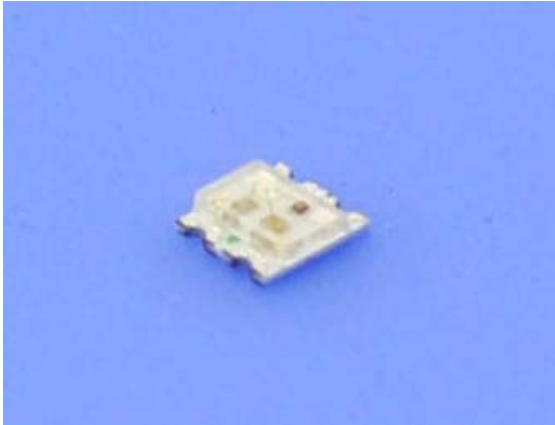
SMD LED 0605-0.6T(Bi-color)



Part No.	Emitted Color	λd (nm)	Lens Appearance	Vf(V) @I _F =5mA		IV(mcd) @I _F =5mA		Viewing Angle 2θ _{1/2} (deg)
				Typ.	Max.	Min.	Typ.	
BL-HJEB536J	Orange Red	615-625	Transparent	2.0	2.4	18.5	35	120°
	Blue	460-475		2.8	3.2	28	63	
BL-HGKJE36J	Green	520-535		2.8	3.2	63	120	
	Orange Red	615-625		2.0	2.4	18.5	35	

Part No.	Emitted Color	λd (nm)	Lens Appearance	Vf(V) @I _F =20mA		IV(mcd) @I _F =20mA		Viewing Angle 2θ _{1/2} (deg)
				Typ.	Max.	Min.	Typ.	
BL-HG0E136J	Yellow Green	566-576	Transparent	2.2	2.6	3.7	1.0	120°
	Red	626-636		2.2	2.6	3.7	1.0	
BL-HGEUB36J	Yellow Green	566-576		2.2	2.6	18.5	35	
	Red	620-640		2.2	2.6	28	63	

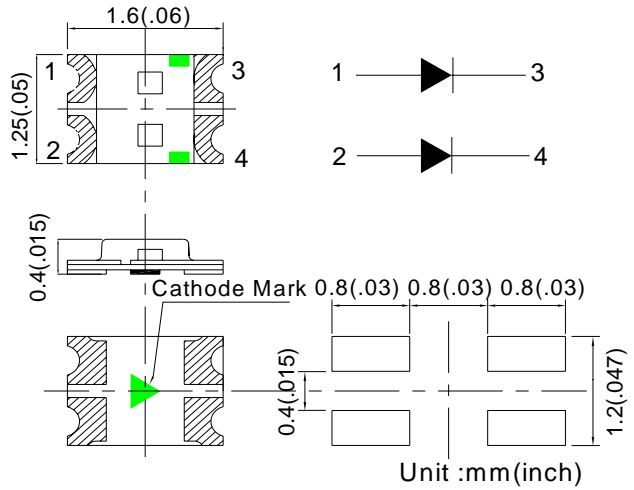
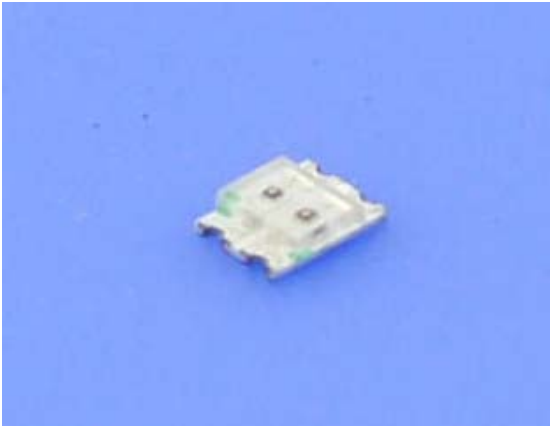
SMD LED 0605-0.6T(Multi-color)



Part No.	Emitted Color	λd (nm)	Lens Appearance	Vf(V) @I _F =5mA		IV(mcd) @I _F =5mA		Viewing Angle 2θ _{1/2} (deg)
				Typ.	Max.	Min.	Typ.	
BL-HJEGKB536E	Orange red	615-625	Transparent	2.2	2.6	18.5	35	120°
	Green	520-535		3.2	3.6	63	120	
	Blue	460-475		3.2	3.6	28	42	

Part No.	Emitted Color	λd (nm)	Lens Appearance	Vf(V) @I _F =20mA		IV(mcd) @I _F =20mA		Viewing Angle 2θ _{1/2} (deg)
				Typ.	Max.	Min.	Typ.	
BL-HJEG8BH36E	Orange red	615-625	Transparent	2.2	2.6	63	120	120°
	Green	520-535		3.2	3.6	140	300	
	Blue	460-475		3.2	3.6	63	120	
BL-HJEG8B536E	Orange red	615-625	Transparent	2.2	2.6	63	120	120°
	Green	520-535		3.2	3.6	140	300	
	Blue	460-475		3.2	3.6	42	100	

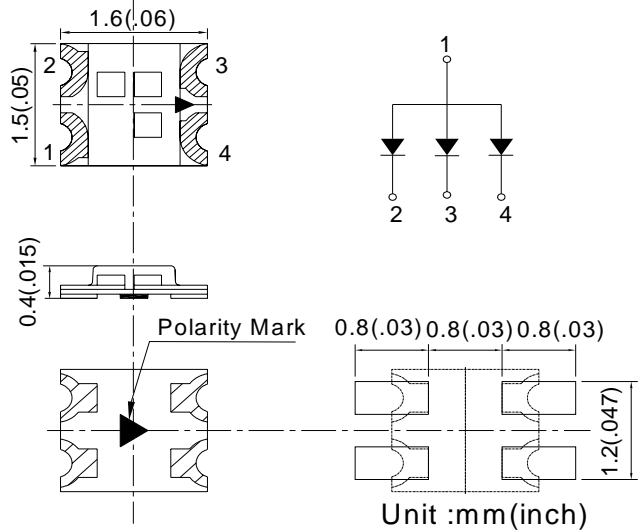
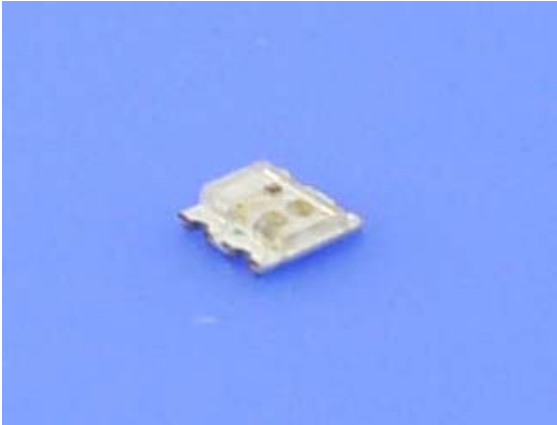
SMD LED 0605-0.4T(Bi-color)



Part No.	Emitted Color	λd (nm)	Lens Appearance	Vf(V) @ $I_F=5mA$		IV(mcd) @ $I_F=5mA$		Viewing Angle $2\theta_{1/2}$ (deg)
				Typ.	Max.	Min.	Typ.	
BL-HB5JC36H	Blue	460-475	Transparent	2.8	3.2	28	63	120°
	Amber	600-610		2.0	2.4	18.5	35	
BL-HB5UB36H	Blue	460-475		2.8	3.2	28	63	
	Red	620-640		2.0	2.4	28	63	

Part No.	Emitted Color	λd (nm)	Lens Appearance	Vf(V) @ $I_F=20mA$		IV(mcd) @ $I_F=20mA$		Viewing Angle $2\theta_{1/2}$ (deg)
				Typ.	Max.	Min.	Typ.	
BL-HJEGE36H	Orange Red	615-625	Transparent	2.2	2.6	63	120	120°
	Yellow Green	566-576		2.2	2.6	18.5	35	
BL-HUBGE36H	Red	620-640		2.2	2.6	28	63	
	Yellow Green	566-576		2.2	2.6	18.5	35	

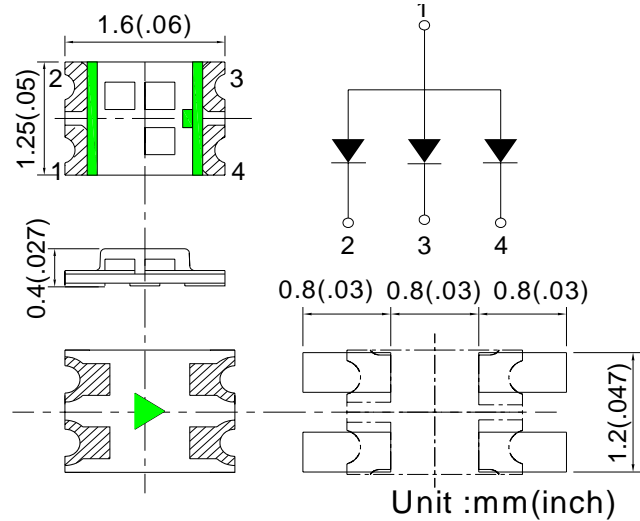
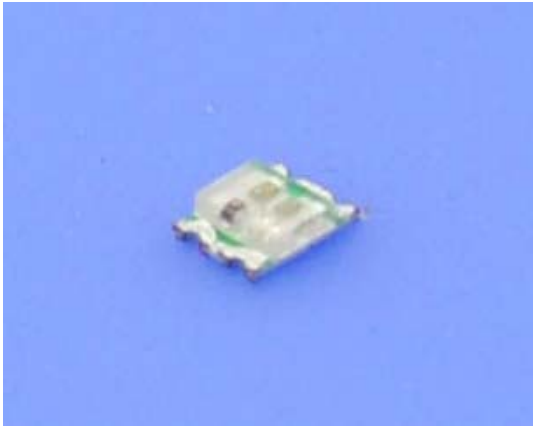
SMD LED 0605-0.4T(Multi-color)



Part No.	Emitted Color	$\lambda d(\text{nm})$	Lens Appearance	Vf(V) @I _F =5mA		IV(mcd) @I _F =5mA		Viewing Angle 2 θ 1/2 (deg)
				Typ.	Max.	Min.	Typ.	
BL-HJEGKB536M	Orange red	615-625	Transparent	2.2	2.6	18.5	35	120°
	Green	520-535		3.2	3.6	63	120	
	Blue	460-475		3.2	3.6	28	42	

Part No.	Emitted Color	$\lambda d(\text{nm})$	Lens Appearance	Vf(V) @I _F =20mA		IV(mcd) @I _F =20mA		Viewing Angle 2 θ 1/2 (deg)
				Typ.	Max.	Min.	Typ.	
BL-HJEG8BH36M	Orange red	615-625	Transparent	2.2	2.6	63	120	120°
	Green	520-535		3.2	3.6	140	300	
	Blue	460-475		3.2	3.6	63	120	
BL-HJEG8B536M	Orange red	615-625		2.2	2.6	63	120	
	Green	520-535		3.2	3.6	140	300	
	Blue	460-475		3.2	3.6	42	100	

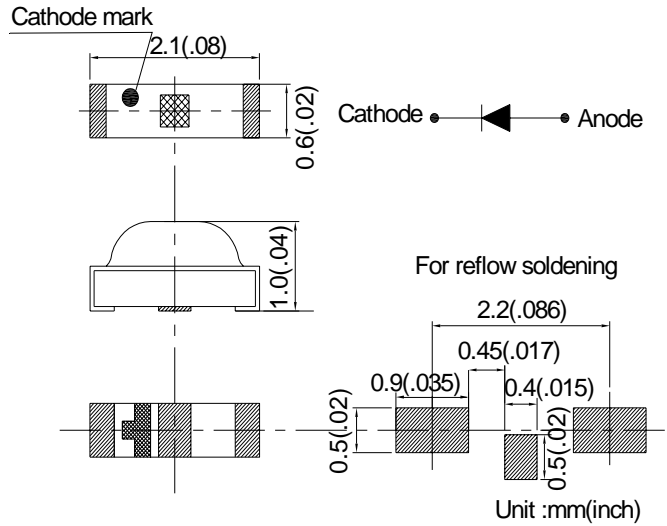
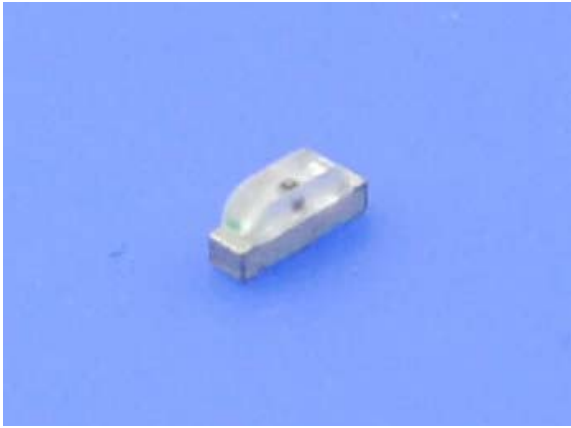
SMD LED 0605-0.4T(Multi-color)



Part No.	Emitted Color	λd (nm)	Lens Appearance	Vf(V) @ $I_F=5mA$		IV(mcd) @ $I_F=5mA$		Viewing Angle $2\theta_{1/2}$ (deg)
				Typ.	Max.	Min.	Typ.	
BL-HJEGKBE36T	Orange red	615-625	Transparent	2.0	2.4	28	63	120°
	Green	520-535		2.8	3.2	94	210	
	Blue	460-475		2.8	3.2	28	63	

Part No.	Emitted Color	λd (nm)	Lens Appearance	Vf(V) @ $I_F=20mA$		IV(mcd) @ $I_F=20mA$		Viewing Angle $2\theta_{1/2}$ (deg)
				Typ.	Max.	Min.	Typ.	
BL-HJEG8B536T	Orange red	615-625	Transparent	2.2	2.6	63	120	120°
	Green	520-535		3.2	3.6	140	300	
	Blue	460-475		3.2	3.6	42	100	

SMD LED 0802-1.0T

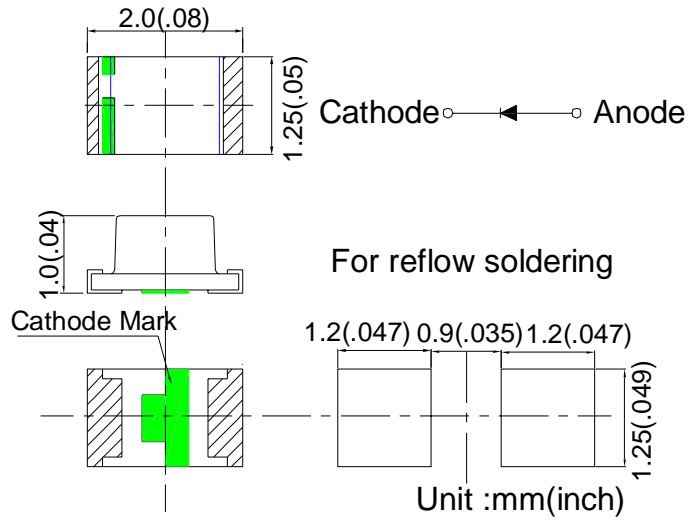


Part No.	Emitted Color	λd (nm)	Lens Appearance	Vf(V) @I _F =5mA		Iv(mcd) @I _F =5mA		Viewing Angle 2 θ 1/2 (deg)
				Typ.	Max.	Min.	Typ.	
BL-HB334E	Blue	460-475	Transparent	2.8	3.2	28	63	130°

Part No.	Emitted Color	X	Y	Lens Appearance	Vf(V) @I _F =5mA		Iv(mcd) @I _F =5mA		Viewing Angle 2 θ 1/2 (deg)
		Typ.	Typ.		Typ.	Max.	Min.	Typ.	
BL-HZ334E-L8	White	0.32	0.34	Yellow Clear	2.8	3.2	42	80	130°

Part No.	Emitted Color	λd (nm)	Lens Appearance	Vf(V) @I _F =20mA		Iv(mcd) @I _F =20mA		Viewing Angle 2 θ 1/2 (deg)
				Typ.	Max.	Min.	Typ.	
BL-HGE34E	Yellow Green	566-576	Transparent	2.2	2.6	18.5	35	130°
BL-HKC34E	Yellow	584-594		2.2	2.6	63	120	
BL-HUB34C	Red	620-640		2.2	2.6	28	42	

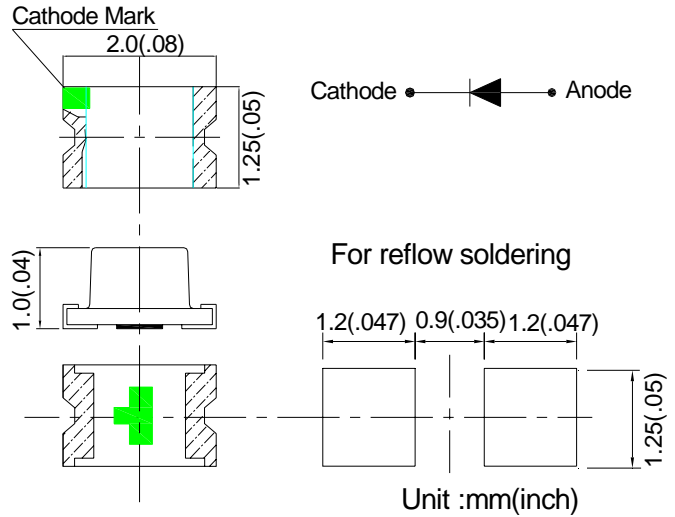
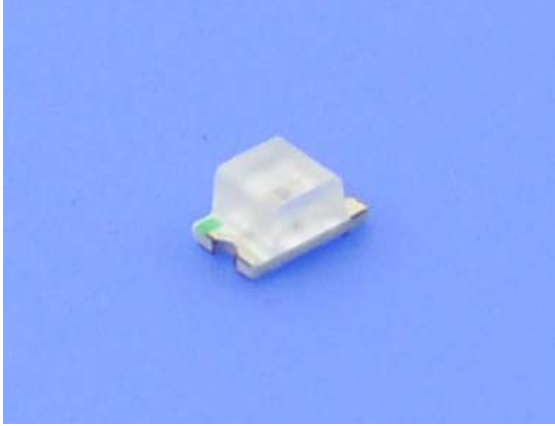
SMD LED 0805-1.0T



Part No.	Emitted Color	λ d(nm)	Lens Appearance	Vf(V) @I _F =5mA		IV(mcd) @I _F =5mA		Viewing Angle 2 θ 1/2 (deg)
				Typ.	Max.	Min.	Typ.	
BL-HB335A	Blue	460-475	Transparent	2.8	3.2	28	63	120°
BL-HGK35A	Green	520-535		2.6	3.2	63	140	

Part No.	Emitted Color	λ d(nm)	Lens Appearance	Vf(V) @I _F =20mA		IV(mcd) @I _F =20mA		Viewing Angle 2 θ 1/2 (deg)
				Typ.	Max.	Min.	Typ.	
BL-HG835A	Green	520-535	Transparent	3.2	3.6	140	317	120°
BL-HGE35A	Yellow Green	566-576		2.2	2.6	18.5	42	
BL-HKC35A	Yellow	584-594		2.2	2.6	63	120	
BL-HJC35A	Amber	600-610		2.2	2.6	63	140	
BL-HJE35A	Orange Red	615-625		2.2	2.6	63	100	
BL-HUB35A	Brilliant Red	620-640		2.2	2.6	28	63	
BL-HS135A	Red	638-648		2.2	2.6	5.5	12.3	

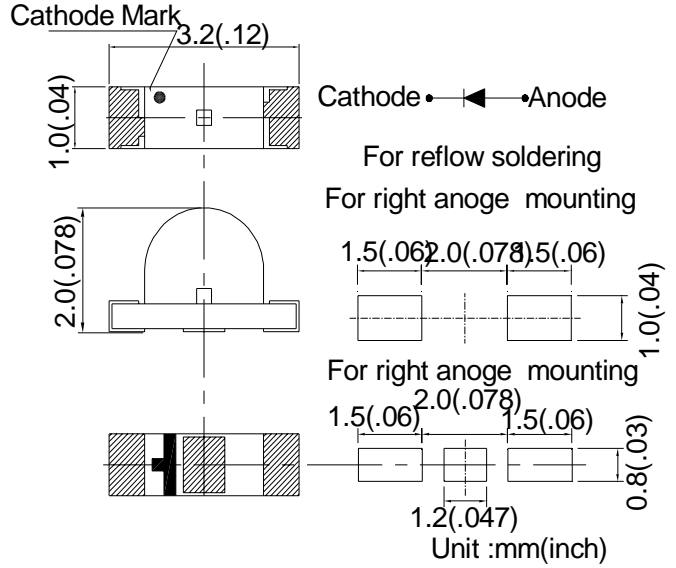
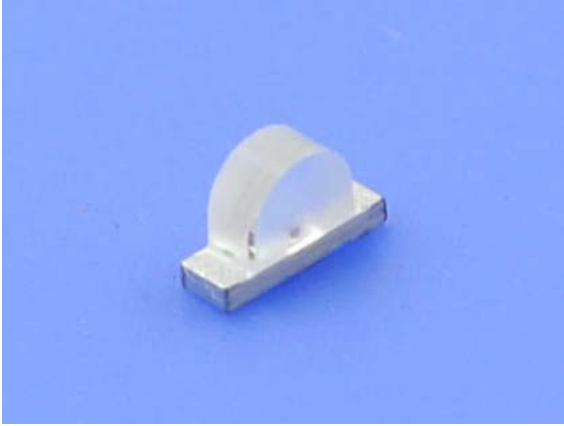
SMD LED 0805-1.0T



Part No.	Emitted Color	λd (nm)	Lens Appearance	Vf(V) @ $I_F=20mA$		IV(mcd) @ $I_F=20mA$		Viewing Angle $2\theta_{1/2}$ (deg)
				Typ.	Max.	Min.	Typ.	
BL-HGE35B	Yellow Green	566-576	Transparent	2.2	2.6	18.5	42	120°
BL-HKC35B	Super Yellow	584-594		2.2	2.6	63	120	
BL-HUF35B	Red	620-640		2.2	2.6	28	63	

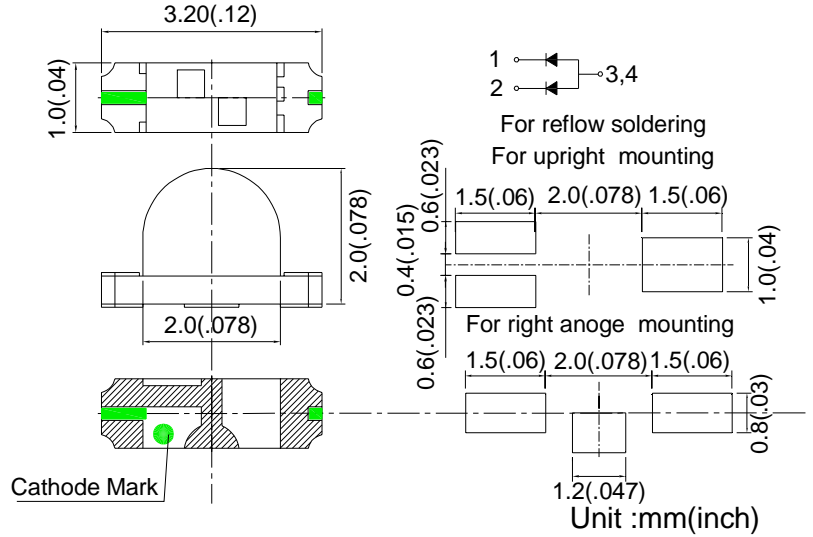
Part No.	Emitted Color	λd (nm)	Lens Appearance	Vf(V) @ $I_F=5mA$		IV(mcd) @ $I_F=5mA$		Viewing Angle $2\theta_{1/2}$ (deg)
				Typ.	Max.	Min.	Typ.	
BL-HB335B	Blue	460-475	Transparent	2.8	3.2	28	63	120°

SMD LED 1204-2.0T



Part No.	Emitted Color	λd (nm)	Lens Appearance	Vf(V) @ $I_F=20mA$		IV(mcd) @ $I_F=20mA$		Viewing Angle $2\theta_{1/2}$ (deg)
				Typ.	Max.	Min.	Typ.	
BL-HGE34A	Yellow Green	566-576	Transparent	2.2	2.6	18.5	42	100°
BL-HUF34A	Red	620-640		2.2	2.6	28	63	
BL-HY034A	Yellow	584-594		2.2	2.6	3.7	8.2	
BL-HB434A	Blue	460-475		3.2	3.6	42	80	

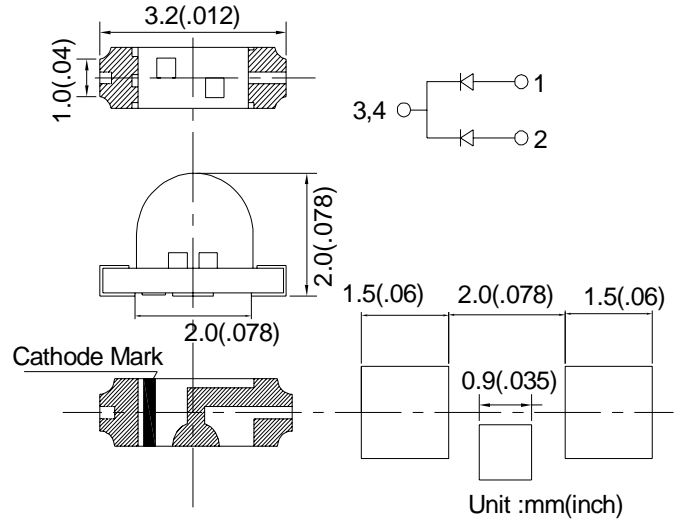
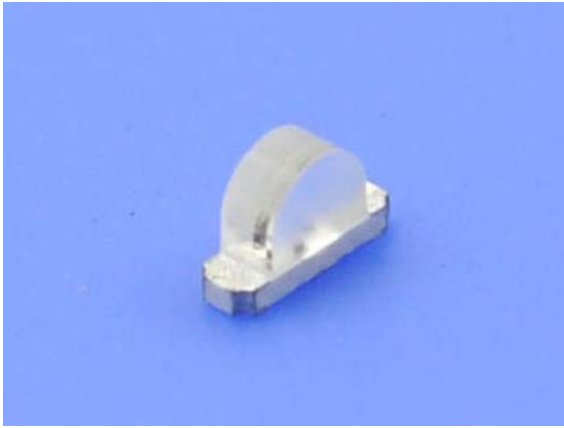
SMD LED 1204-2.0T(Bi-color)



Part No.	Emitted Color	λd (nm)	Lens Appearance	Vf(V) @ $I_f=5mA$		IV(mcd) @ $I_f=5mA$		Viewing Angle $2\theta_{1/2}$ (deg)
				Typ.	Max.	Min.	Typ.	
BL-HUBGK34B	Red	620-640	Transparent	2.0	2.4	18.5	35	120°
	Green	520-535		2.8	3.2	63	120	
BL-HUBB534B	Red	620-640		2.0	2.4	18.5	35	
	Blue	460-475		2.8	3.2	28	63	

No.	@ $I_f=20mA$	Emitted Color	λd (nm)	Lens Appearance	Vf(V) @ $I_f=20mA$		IV(mcd) @ $I_f=20mA$		Viewing Angle $2\theta_{1/2}$ (deg)
					Typ.	Max.	Min.	Typ.	
BL-HUBGE34B		Red	620-640	Transparent	2.2	2.6	28	63	120°
		Yellow Green	566-576		2.2	2.6	18.5	35	
BL-HKBGE34B		Yellow	582-592		2.2	2.6	42	94	
		Yellow Green	566-576		2.2	2.6	18.5	35	
BL-HE1G034B		Red	626-636		2.2	2.6	3.7	1.0	
		Yellow Green	566-576		2.2	2.6	3.7	1.0	

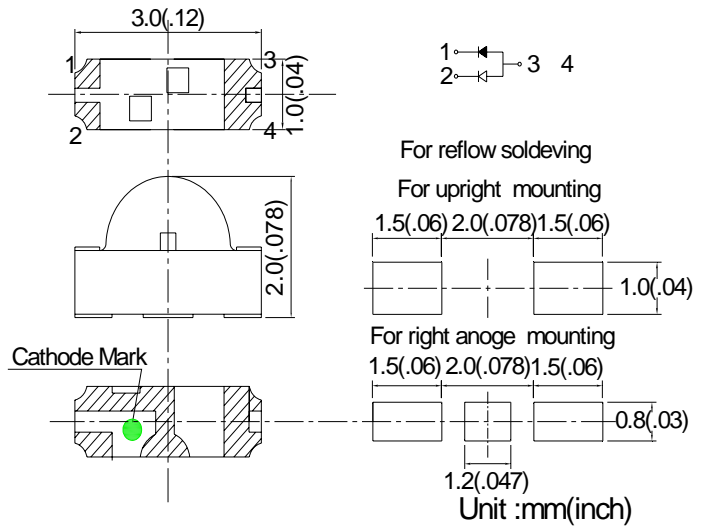
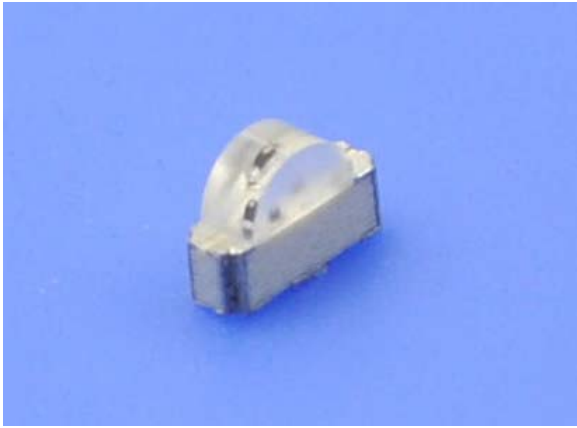
SMD LED 1204-2.0T(Bi-color)



Part No.	Emitted Color	λd (nm)	Lens Appearance	Vf(V) @ $I_F=5mA$		IV(mcd) @ $I_F=5mA$		Viewing Angle $2\theta_{1/2}$ (deg)
				Typ.	Max.	Min.	Typ.	
BL-HB5UB34J	Blue	460-475	Transparent	3.2	3.6	63	120	120°
	Red	620-640		2.2	2.6	28	63	

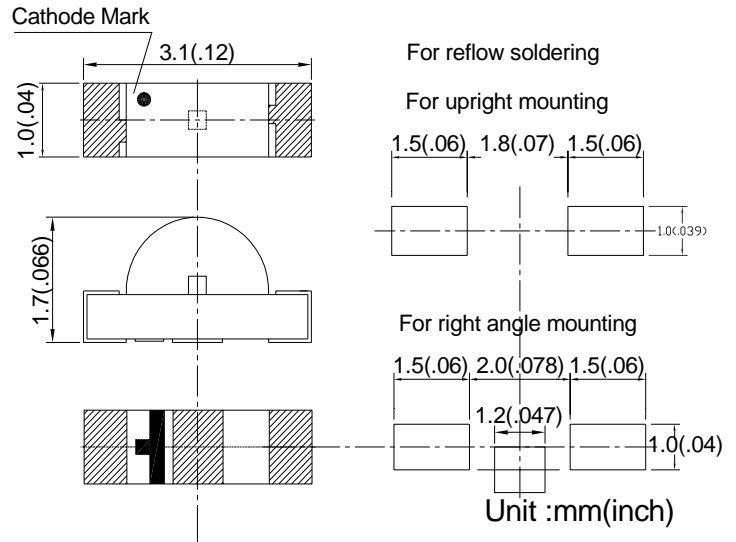
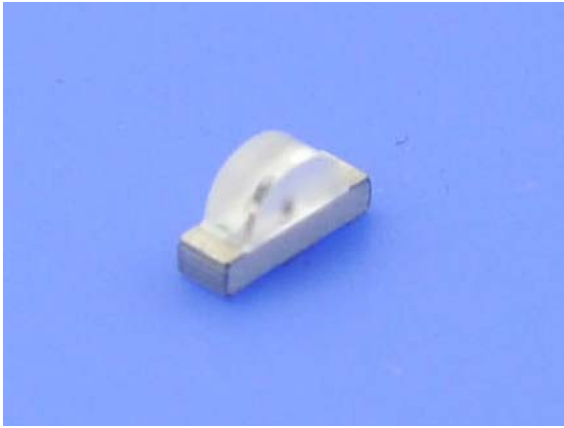
Part No.	Emitted Color	λd (nm)	Lens Appearance	Vf(V) @ $I_F=20mA$		IV(mcd) @ $I_F=20mA$		Viewing Angle $2\theta_{1/2}$ (deg)
				Typ.	Max.	Min.	Typ.	
BL-HUBG834J	Red	620-640	Transparent	2.2	2.6	42	94	120°
	Green	520-535		3.2	3.6	140	317	

SMD LED 1204-2.0T(Bi-color)



Part No.	Emitted Color	λd (nm)	Lens Appearance	Vf(V) @ I _F =20mA		IV(mcd) @ I _F =20mA		Viewing Angle 2 θ 1/2 (deg)
				Typ.	Max.	Min.	Typ.	
BL-HUBGE34H	Red	620-640	Transparent	2.2	2.6	28	63	120°
	Yellow Green	566-576		2.2	2.6	18.5	35	
BL-HKBGE34H	Yellow	582-592		2.2	2.6	42	94	
	Yellow Green	566-576		2.2	2.6	18.5	35	
BL-HUB34H	Red	620-640		2.2	2.6	28	63	

SMD LED 1204-1.7T

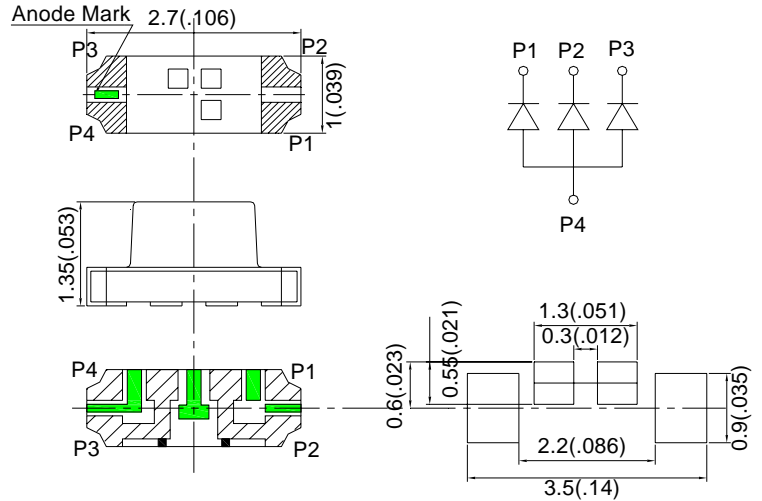
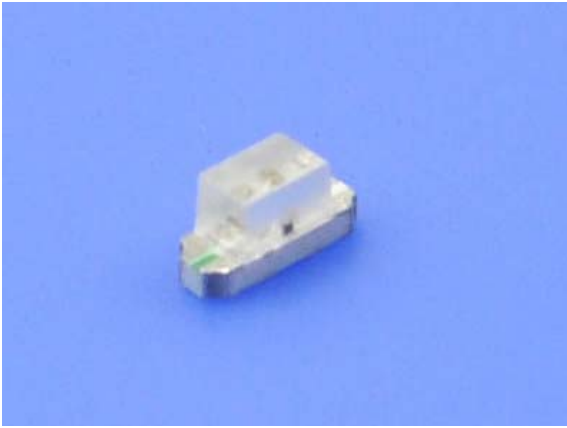


Part No.	Emitted Color	λ d(nm)	Lens Appearance	Vf(V) @I _F =5mA		IV(mcd) @I _F =5mA		Viewing Angle 2 θ 1/2 (deg)
				Typ.	Max.	Min.	Typ.	
BL-HB334C	Blue	460-475	Transparent	2.8	3.2	28	63	105°

Part No.	Emitted Color	λ d(nm)	Lens Appearance	Vf(V) @I _F =20mA		IV(mcd) @I _F =20mA		Viewing Angle 2 θ 1/2 (deg)
				Typ.	Max.	Min.	Typ.	
BL-HG034C	Yellow Green	566-576	Transparent	2.2	2.6	3.7	8.2	105°
BL-HGE34C	Yellow Green	566-576		2.2	2.6	18.5	35	
BL-HJB34C	Orange	610-620		2.2	2.6	42	80	
BL-HKC34C	Yellow	584-594		2.2	2.6	63	120	
BL-HUB34C	Red	620-640		2.2	2.6	42	80	
BL-HY034C	Yellow	584-594		2.2	2.6	3.7	8.2	

Part No.	Emitted Color	X	Y	Lens Appearance	Vf(V) @I _F =20mA		IV(mcd) @I _F =20mA		Viewing Angle 2 θ 1/2 (deg)
		Typ.	Typ.		Typ.	Max.	Min.	Typ.	
BL-HZD34C-L21	White	0.3	0.28	Yellow Clear	3.2	3.6	210	400	105°

SMD LED 1204-1.35T(Multi-color)

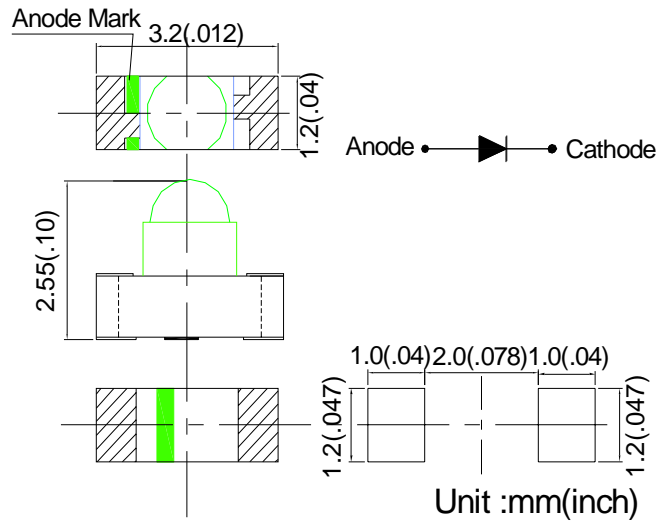
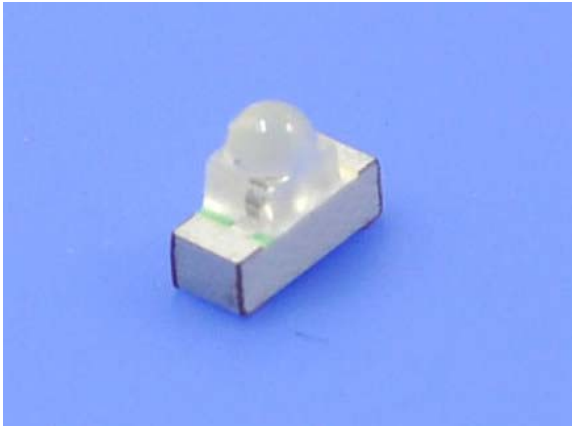


Part No.	Emitted Color	λd (nm)	Lens Appearance	Vf(V) @I _F =20mA		IV(mcd) @I _F =20mA		Viewing Angle 2θ _{1/2} (deg)
				Typ.	Max.	Min.	Typ.	
BL-HJ7G6BH34S	Orange Red	620-630	Transparent	2.0	2.4	94	210	120°
	Green	515-530		3.2	3.6	317	475	
	Blue	460-475		3.2	3.6	42	140	
BL-HJEG6B534S	Orange red	620-635		2.2	2.6	63	120	
	Green	520-540		3.2	3.6	317	475	
	Blue	460-475		3.2	3.6	94	210	
BL-HUBGE34S	Red	620-640		2.2	2.6	28	42	
	Yellow Green	566-576		2.2	2.6	18.5	35	

Part No.	Emitted Color	λd (nm)	Lens Appearance	Vf(V) @I _F =5mA		IV(mcd) @I _F =5mA		Viewing Angle 2θ _{1/2} (deg)
				Typ.	Max.	Min.	Typ.	
BL-HJEG6B534S	Orange red	620-635	Transparent	2.0	2.4	18.5	35	120°
	Green	520-540		2.8	3.2	63	120	
	Blue	460-475		2.8	3.2	28	63	

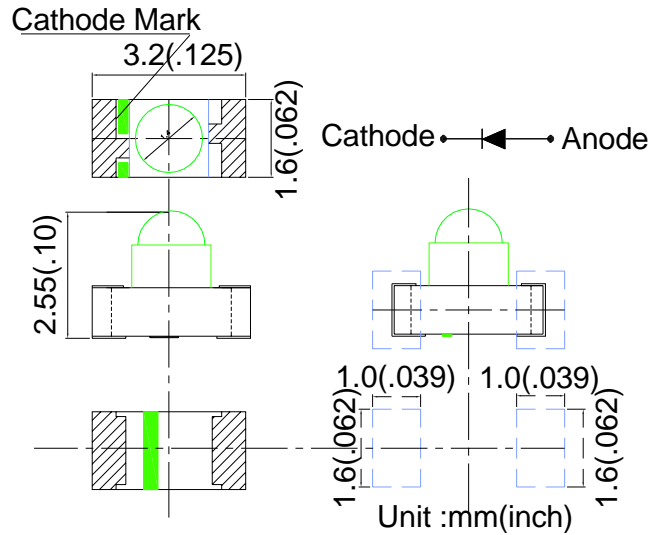
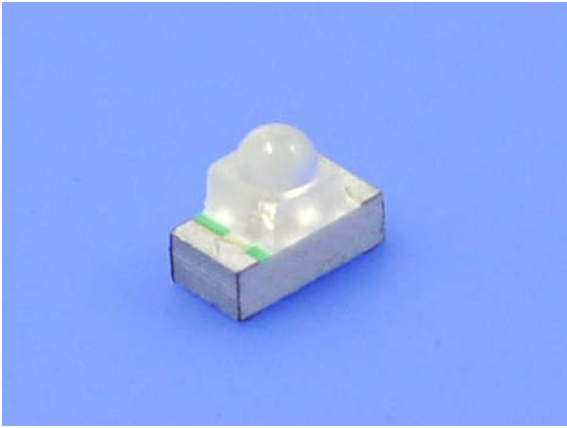


SMD LED 1206-2.55T



Part No.	Emitted Color	λ_p (nm)	Lens Appearance	Vf(V) @I _F =50mA		Power(mw/sr) @I _F =50mA		Viewing Angle 2θ _{1/2} (deg)
				Typ.	Max.	Min.	Typ.	
BIR-HMC33K	IR	940	Transparent	1.6	1.8	19.42	38.08	30°

SMD LED 1206-2.55T

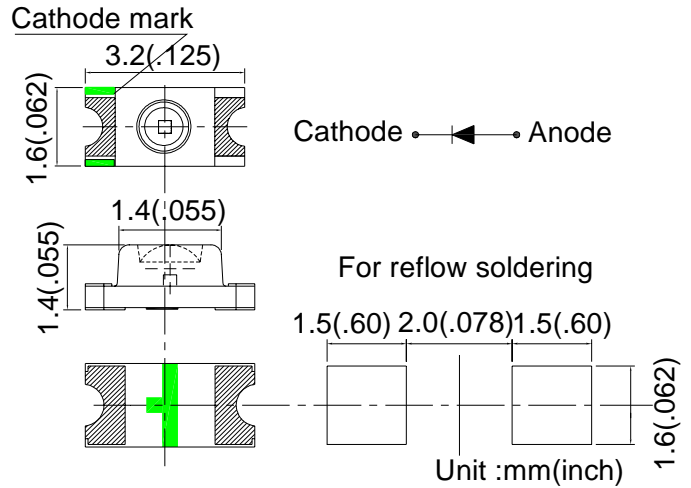
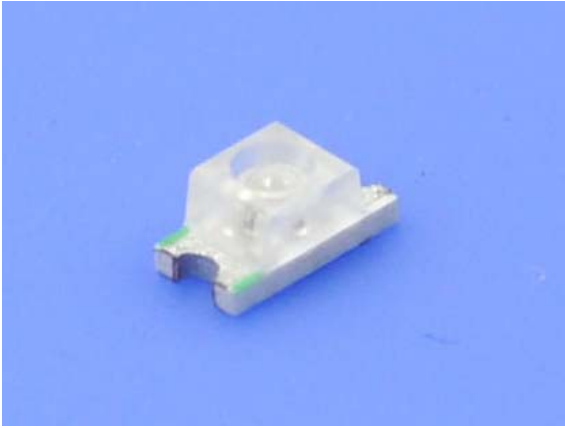


Part No.	Emitted Color	λd (nm)	Lens Appearance	Vf(V) @I _F =5mA		Iv(mcd) @I _F =5mA		Viewing Angle 2 θ 1/2 (deg)
				Typ.	Max.	Min.	Typ.	
BL-HB333J	Blue	460-475	Transparent	2.8	3.2	140	317	30°

Part No.	Emitted Color	λd (nm)	Lens Appearance	Vf(V) @I _F =20mA		Iv(mcd) @I _F =20mA		Viewing Angle 2 θ 1/2 (deg)
				Typ.	Max.	Min.	Typ.	
BL-HGE33J	Yellow Green	566-576	Transparent	2.2	2.6	94	210	30°
BL-HJC33J	Amber	600-610		2.2	2.6	210	400	
BL-HUB33J	Red	620-640		2.2	2.6	475	1070	

Part No.	Emitted Color	λp (nm)	Lens Appearance	Vf(V) @I _F =50mA		Power(mw/sr) @I _F =50mA		Viewing Angle 2 θ 1/2 (deg)
				Typ.	Max.	Min.	Typ.	
BIR-HM133J	IR	940	Transparent	1.2	1.8	3.6	7.07	30°
BIR-HM733J	IR	940		1.3	1.8	5.05	9.9	
BIR-HMD33J	IR	940		1.3	1.8	9.9	19.42	

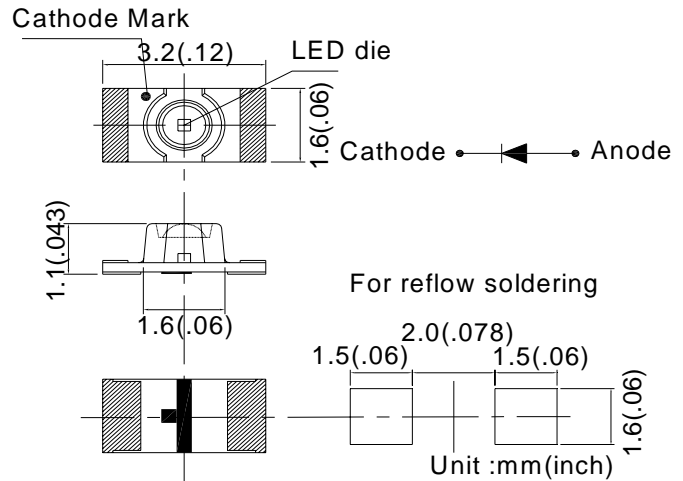
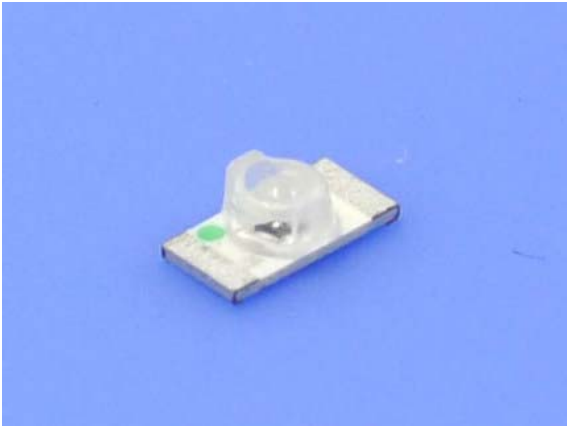
SMD LED 1206-1.4T



Part No.	Emitted Color	λ d(nm)	Lens Appearance	Vf(V) @I _F =20mA		Iv(mcd) @I _F =20mA		Viewing Angle 2 θ 1/2 (deg)
				Typ.	Max.	Min.	Typ.	
BL-HY033A	Yellow	584-594	Transparent	2.2	2.6	8.2	18.5	60°
BL-HX133A	Green	566-576		2.2	2.6	18.5	35	
BL-HUB33A	Red	620-640		2.2	2.6	63	140	
BL-HS133A	Red	638-648		2.2	2.6	12.3	28	
BL-HKD33A	Yellow	588-598		2.2	2.6	94	210	
BL-HJE33A	Orange Red	615-625		2.2	2.6	210	475	
BL-HGE33A	Yellow Green	566-576		2.2	2.6	42	94	
BL-HB433A	Blue	460-475		3.2	3.6	94	210	

Part No.	Emitted Color	λ p(nm)	Lens Appearance	Vf(V) @I _F =50mA		Power(mw/sr) @I _F =50mA		Viewing Angle 2 θ 1/2 (deg)
				Typ.	Max.	Min.	Typ.	
BIR-HM133A	IR	940	Transparent	1.2	1.8	2.57	7.07	60°

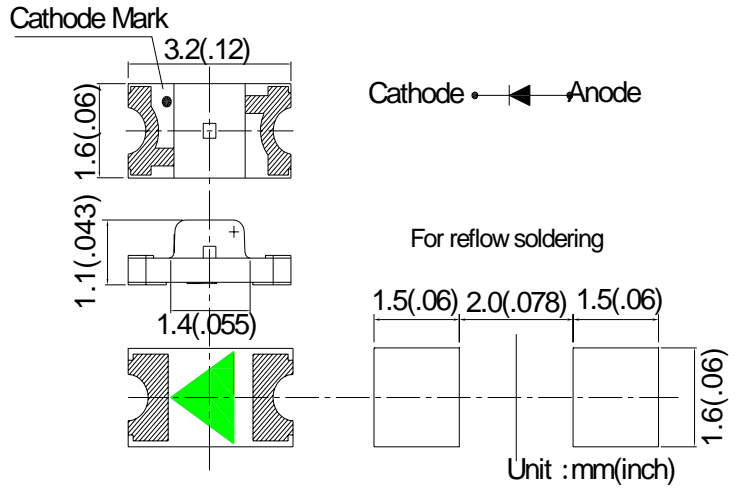
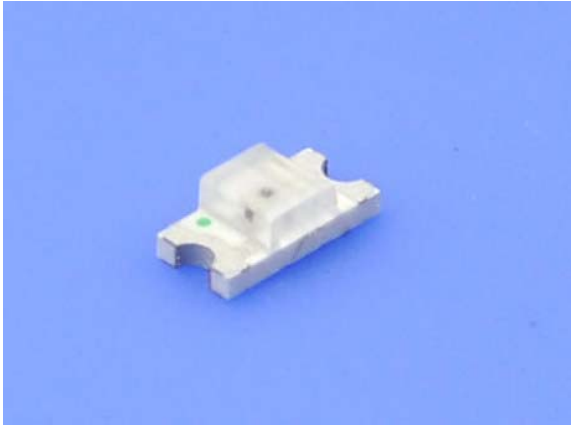
SMD LED 1206-1.1T



Part No.	Emitted Color	λd (nm)	Lens Appearance	Vf(V) @I _F =20mA		Iv(mcd) @I _F =20mA		Viewing Angle 2 θ _{1/2} (deg)
				Typ.	Max.	Min.	Typ.	
BL-HUB33C	Red	620-640	Transparent	2.2	2.6	94	210	60°
BL-HKC33C	Yellow	588-598		2.2	2.6	140	317	
BL-HGE33C	Yellow Green	566-576		2.2	2.6	42	94	
BL-HB433C	Blue	460-475		3.2	3.6	94	210	

Part No.	Emitted Color	λp (nm)	Lens Appearance	Vf(V) @I _F =50mA		Power(mw/sr) @I _F =50mA		Viewing Angle 2 θ _{1/2} (deg)
				Typ.	Max.	Min.	Typ.	
BIR-HO033C	IR	850	Transparent	1.35	1.7	3.6	8.0	60°

SMD LED 1206-1.1T

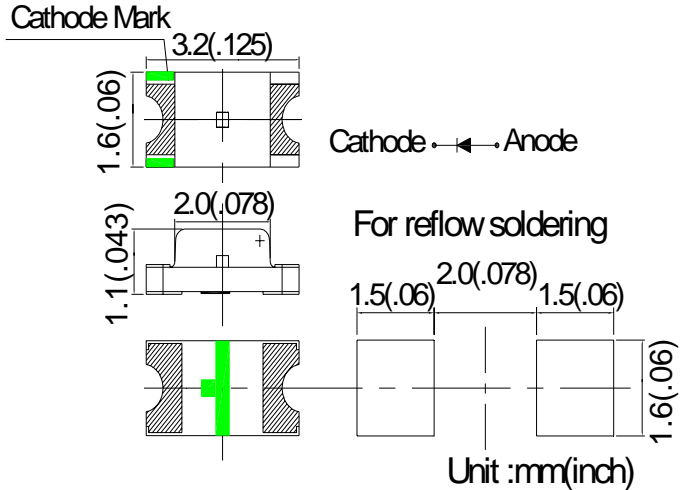
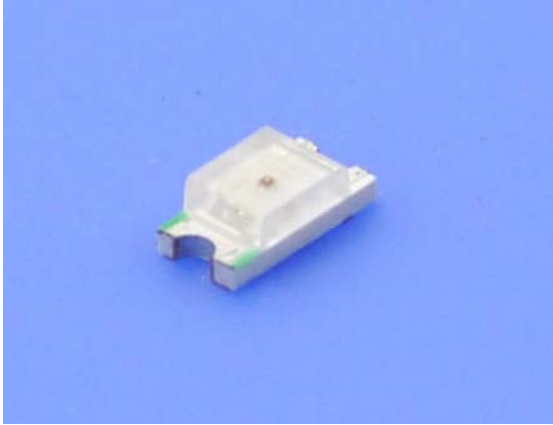


Part No.	Emitted Color	λd (nm)	Lens Appearance	Vf(V) @I _F =5mA		Iv(mcd) @I _F =5mA		Viewing Angle 2 θ 1/2 (deg)
				Typ.	Max.	Min.	Typ.	
BL-HB333H	Blue	460-475	Transparent	2.8	3.2	28.0	63	120°
BL-HGK33H	Green	520-535		2.8	3.2	63	120	

Part No.	Emitted Color	λd (nm)	Lens Appearance	Vf(V) @I _F =20mA		Iv(mcd) @I _F =20mA		Viewing Angle 2 θ 1/2 (deg)
				Typ.	Max.	Min.	Typ.	
BL-HUB33H	Red	620-640	Transparent	2.2	2.6	28	63	120°
BL-HKC33H	Yellow	584-594		2.2	2.6	63	120	
BL-HJC33H	Amber	600-610		2.2	2.6	63	120	
BL-HGE33H	Yellow Green	566-576		2.2	2.6	18.5	42	

Part No.	Emitted Color	λp (nm)	Lens Appearance	Vf(V) @I _F =50mA		Power(mw/sr) @I _F =50mA		Viewing Angle 2 θ 1/2 (deg)
				Typ.	Max.	Min.	Typ.	
BIR-HM133H	IR	940	Transparent	1.25	1.7	1.3	2.5	120°

SMD LED 1206-1.1T



Part No.	Emitted Color	X	Y	Lens Appearance	Vf(V) @IF=5mA		Iv(mcd) @IF=5mA		Viewing Angle 2θ 1/2 (deg)
		Typ.	Typ.		Typ.	Max.	Min.	Typ.	
BL-HZ333-L21	White	0.28	0.29	Yellow Clear	2.8	3.2	42	80	120°

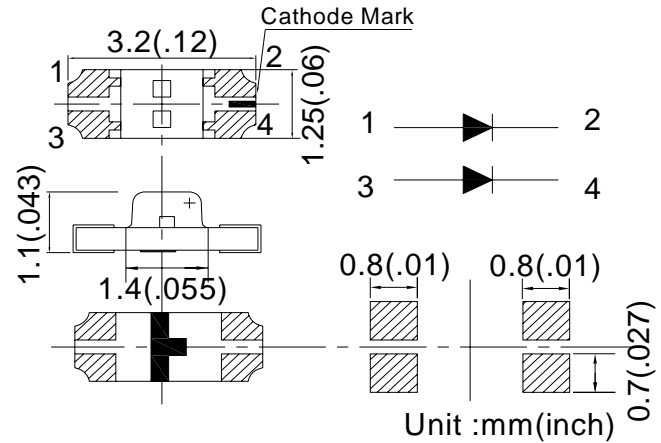
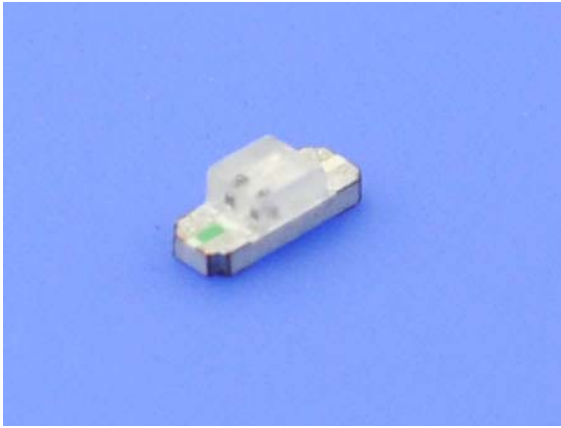
Part No.	Emitted Color	λ d(nm)	Lens Appearance	Vf(V) @IF=20mA		Iv(mcd) @IF=20mA		Viewing Angle 2θ 1/2 (deg)
				Typ.	Max.	Min.	Typ.	
BL-HBH33	Blue	460-475	Transparent	3.2	3.6	63	120	120°
BL-HG033	Yellow Green	566-576		2.2	2.6	3.7	8.2	
BL-HUF33	Red	625-635		2.2	2.6	42	94	

Part No.	Emitted Color	λ d(nm)	Lens Appearance	Vf(V) @IF=5mA		Iv(mcd) @IF=5mA		Viewing Angle 2θ 1/2 (deg)
				Typ.	Max.	Min.	Typ.	
BL-HGK33	Green	520-535	Transparent	2.8	3.2	63	140	120°
BL-HB333	Blue	460-475		2.8	3.2	28	63	

Part No.	Emitted Color	λ p(nm)	Lens Appearance	Vf(V) @IF=50mA		Power(mw/sr) @IF=50mA		Viewing Angle 2θ 1/2 (deg)
				Typ.	Max.	Min.	Typ.	
BIR-HM133	IR	940	Transparent	1.25	1.7	0.92	1.8	120°

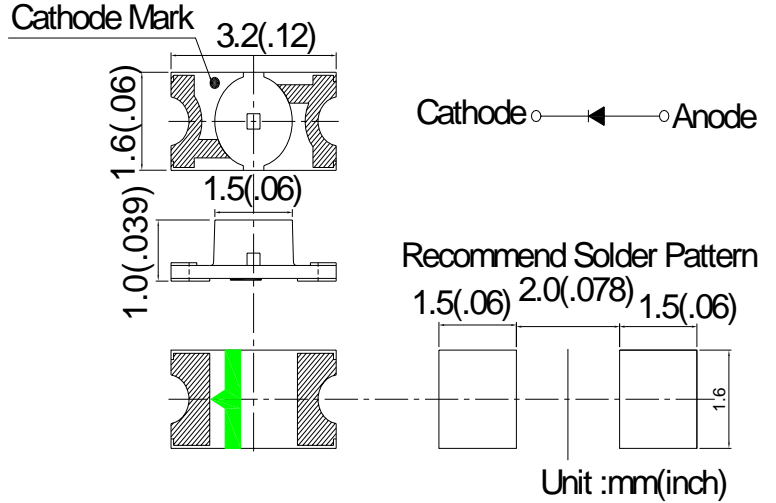
Part No.	Emitted Color	λ p(nm)	Lens Appearance	Vf(V) @IF=50mA		IC(mA) @IF=50mA		Viewing Angle 2θ 1/2 (deg)
				Typ.	Max.	Min.	Typ.	
BPT-HPG33	PT	940	Transparent	/	/	0.8	1.66	120°
BPT-HP233	PT			/	/	2.39	4.97	

SMD LED 1206-1.1T(Bi-color)



Part No.	Emitted Color	λd (nm)	Lens Appearance	Vf(V) @I _F =5mA		Iv(mcd) @I _F =5mA		Viewing Angle 2θ _{1/2} (deg)
				Typ.	Max.	Min.	Typ.	
BL-HUBGE33X	Red	620-640	Transparent	2.2	2.6	28	42	100°
	Yellow Green	566-576		2.2	2.6	18.5	35	

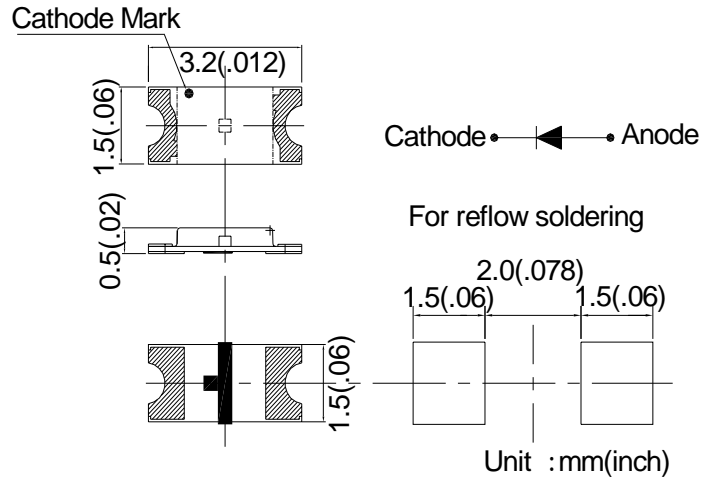
SMD LED 1206-1.0T



Part No.	Emitted Color	λ d(nm)	Lens Appearance	Vf(V) @I _F =5mA		Iv(mcd) @I _F =5mA		Viewing Angle 2θ _{1/2} (deg)
				Typ.	Max.	Min.	Typ.	
BL-HB433D	Blue	460-475	Transparent	3.2	3.6	42	80	130°
BL-HGE33D	Yellow Green	566-576		2.2	2.6	18.5	42	
BL-HJE33D	Orange Red	615-625		2.2	2.6	63	140	
BL-HKB33D	Yellow	582-592		2.2	2.6	94	210	

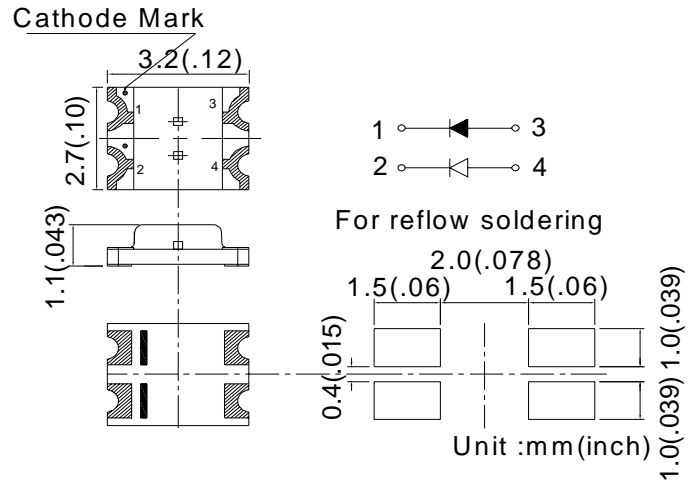
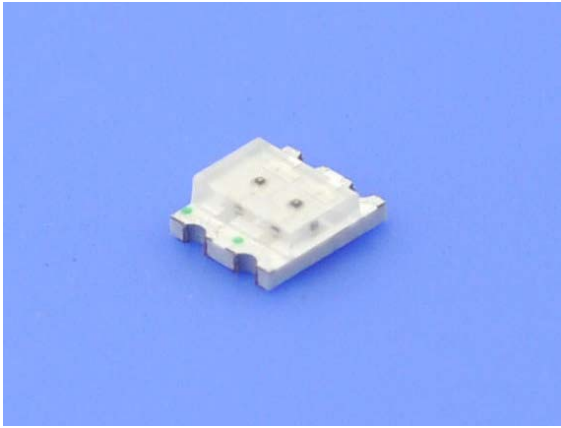
Part No.	Emitted Color	X	Y	Lens Appearance	Vf(V) @I _F =5mA		Iv(mcd) @I _F =5mA		Viewing Angle 2θ _{1/2} (deg)
		Typ.	Typ.		Typ.	Max.	Min.	Typ.	
BL-HZX33D-L22	White	0.25	0.26	Yellow Clear	3.0	3.4	140	400	130°

SMD LED 1206-0.5T



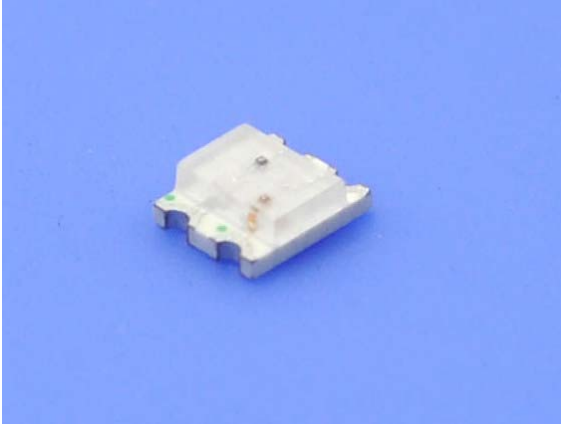
Part No.	Emitted Color	λd (nm)	Lens Appearance	Vf(V) @I _F =20mA		Iv(mcd) @I _F =20mA		Viewing Angle 2θ _{1/2} (deg)
				Typ.	Max.	Min.	Typ.	
BL-HUF33Q	Red	620-640	Transparent	3.2	3.6	28	63	120°
BL-HGE33Q	Yellow Green	566-576		2.2	2.6	18.5	42	
BL-HKB33Q	Yellow	582-592		2.2	2.6	28	63	

SMD LED 1210-1.1T(Bi-color)

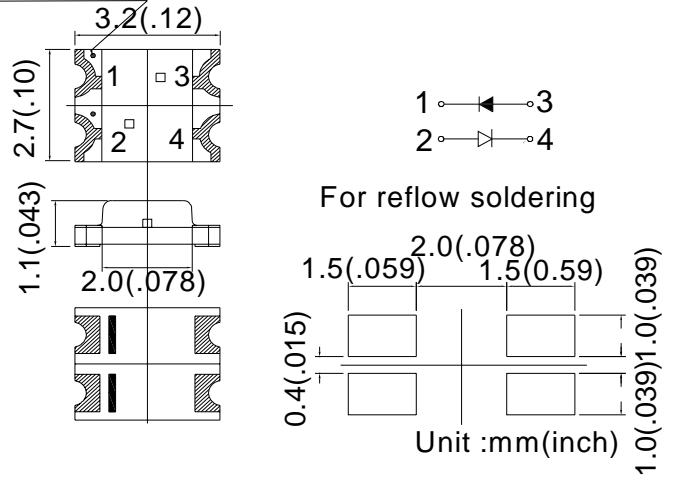


Part No.	Emitted Color	λd (nm)	Lens Appearance	Vf(V) @I _F =20mA		IV(mcd) @I _F =20mA		Viewing Angle 2θ 1/2 (deg)
				Typ.	Max.	Min.	Typ.	
BL-HUBGE33B	Red	620-640	Transparent	2.2	2.6	42	94	120°
	Yellow Green	566-576		2.2	2.6	18.5	35	
BL-HY0G033B	Yellow	584-594		2.2	2.6	3.7	10	
	Yellow Green	566-576		2.2	2.6	3.7	10	
BL-HKBGE33B	Yellow	582-592		2.2	2.6	42	94	
	Yellow Green	566-576		2.2	2.6	18.5	35	
BL-HE1G033B	Red	626-636		2.2	2.6	3.7	10	
	Yellow Green	566-576		2.2	2.6	3.7	10	
BL-HD1X133B	Red	638-648		2.2	2.6	12.3	28	
	Green	566-576		2.2	2.6	8.2	20	
BL-HA1GE33B	Amber	600-615		2.2	2.6	3.7	10	
	Yellow Green	566-576		2.2	2.6	18.5	35	

SMD LED 1210-1.1T(Bi-color)

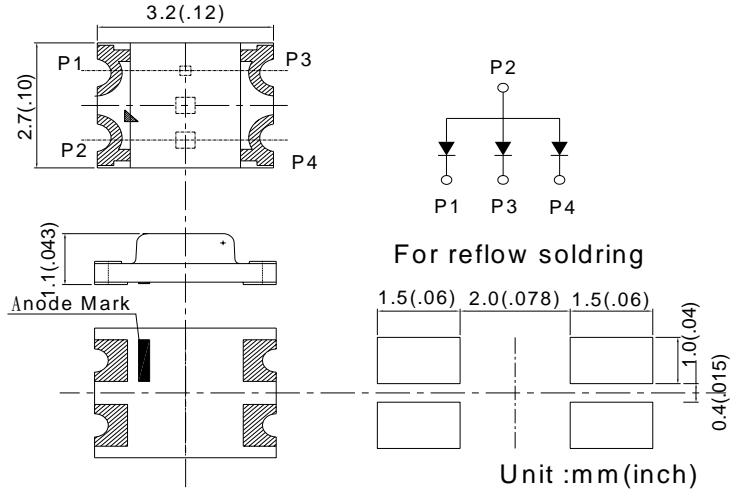
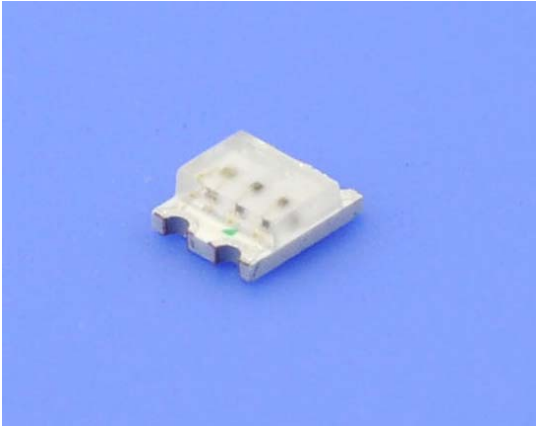


Cathode Mark



Part No.	Emitted Color	λd (nm)	Lens Appearance	Vf(V) @I _F =20mA		IV(mcd) @I _F =20mA		Viewing Angle 2 θ 1/2 (deg)
				Typ.	Max.	Min.	Typ.	
BL-HF0G333F	Red	638-648	Transparent	2.2	2.6	18.5	35.0	120°
	Yellow Green	566-576		2.2	2.6	63.0	120.0	
BL-HJZGJ33F	Orange	615-625		2.2	2.6	317.0	600.0	
	Yellow Green	566-576		2.2	2.6	63.0	120.0	
BL-HSBGE33F	Red	638-648		2.2	2.6	5.5	15.0	
	Yellow Green	566-576		2.2	2.6	18.5	35.0	

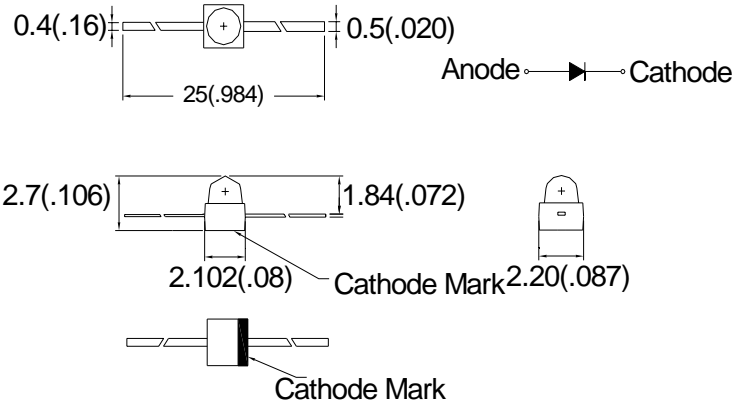
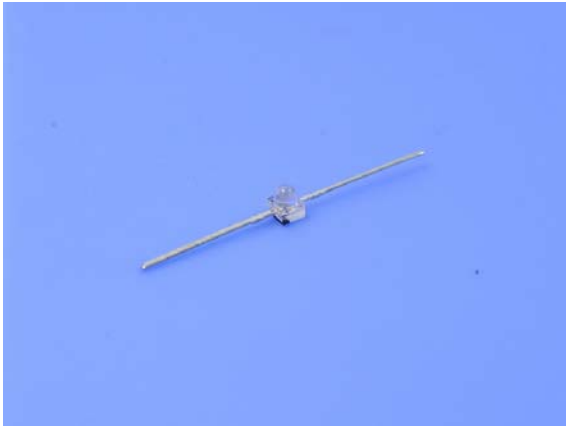
SMD LED 1210-1.1T(Multi-color)



Part No.	Emitted Color	λd (nm)	Lens Appearance	Vf(V) @I _F =5mA		IV(mcd) @I _F =5mA		Viewing Angle 2θ _{1/2} (deg)
				Typ.	Max.	Min.	Typ.	
BL-HB5GEKB33T	Blue	460-475	Transparent	3.2	3.6	63	140	120°
	Yellow Green	566-576		2.2	2.6	18.5	35	
	Yellow	582-592		2.2	2.6	42	94	
BL-HUBGKB533T	Red	620-635		2.0	2.4	8.2	20	
	Green	520-540		2.8	3.2	63	120	
	Blue	460-475		2.8	3.2	28	63	

Part No.	Emitted Color	λd (nm)	Lens Appearance	Vf(V) @I _F =20mA		IV(mcd) @I _F =20mA		Viewing Angle 2θ _{1/2} (deg)
				Typ.	Max.	Min.	Typ.	
BL-HE1G0Y033T	Red	626-636	Transparent	2.2	2.6	5.5	12.3	120°
	Yellow Green	566-576		2.2	2.6	3.7	10	
	Yellow	584-594		2.2	2.6	3.7	10	
BL-HD1X1KB33T	Red	638-648		2.2	2.6	12.3	28	
	Green	566-576		2.2	2.6	8.2	20	
	Yellow	582-592		2.2	2.6	42	94	

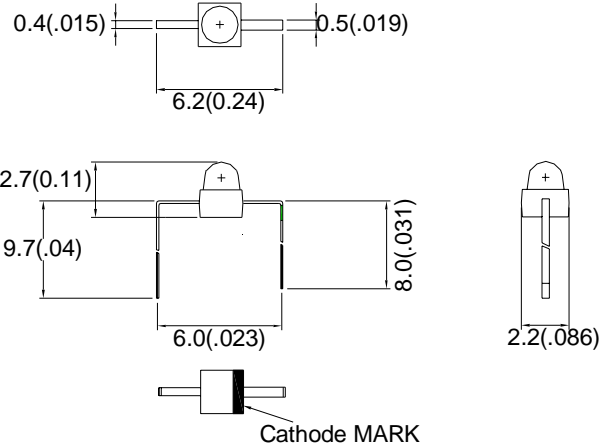
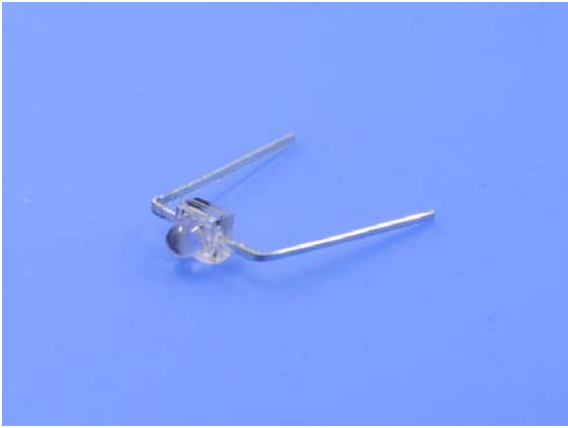
AXIAL LED 361-2.7T



Part No.	Emitted Color	λd (nm)	Lens Appearance	Vf(V) @I _F =5mA		Iv(mcd) @I _F =5mA		Viewing Angle 2 θ 1/2 (deg)
				Typ.	Max.	Min.	Typ.	
BL-XB3361	Blue	460-475	Transparent	3.2	3.6	210	400	35°
BL-XGE361	Yellow Green	566-576		2.2	2.6	94	210	
BL-XKC361	Yellow	584-594		2.2	2.6	210	400	
BL-XUF361	Red	620-640		2.2	2.6	140	317	

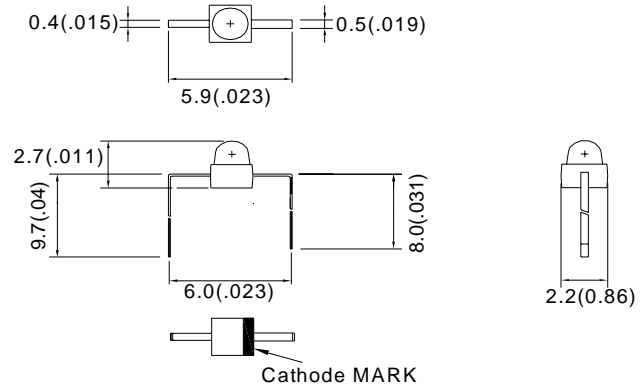
Part No.	Emitted Color	X	Y	Lens Appearance	Vf(V) @I _F =20mA		Iv(mcd) @I _F =20mA		Viewing Angle 2 θ 1/2 (deg)
		Typ.	Typ.		Typ.	Max.	Min.	Typ.	
BL-XZD361-LB20	White	0.265	0.33	Yellow Clear	3.2	3.6	317	475	35°
BL-XZ3361-L21		0.265	0.33		3.2	3.6	94	200	

AXIAL LED 361-F2 2.7T



Part No.	Emitted Color	λd (nm)	Lens Appearance	Vf(V) @I _F =20mA		Iv(mcd) @I _F =20mA		Viewing Angle 2θ _{1/2} (deg)
				Typ.	Max.	Min.	Typ.	
BL-XX1361-F2	Hi-Eff Green	566-576	Transparent	2.2	2.6	28	63	35°
BL-XGE361-F2	Yellow Green	566-576		2.2	2.6	94	210	
BL-XKC361-F2	Yellow	584-594		2.2	2.6	210	400	
BL-XBH361-F2	Blue	460-475		3.2	3.6	317	600	
BL-X9361-F2	Pure Green	555-565		2.2	2.6	5.5	15	

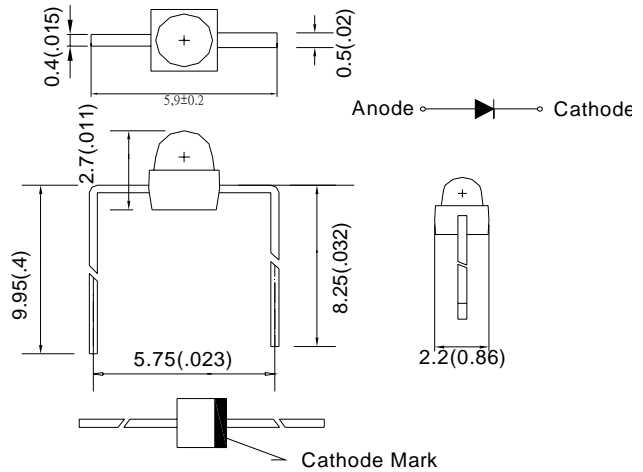
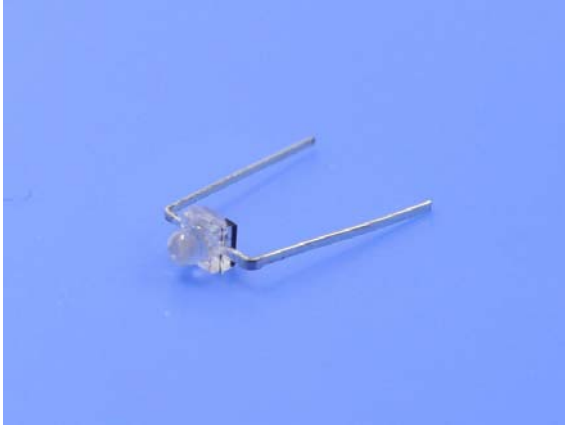
AXIAL LED 361-F3 2.7T



Part No.	Emitted Color	λd (nm)	Lens Appearance	Vf(V) @I _F =5mA		Iv(mcd) @I _F =5mA		Viewing Angle 2θ _{1/2} (deg)
				Typ.	Max.	Min.	Typ.	
BL-XB5361-F3	Blue	460-475	Transparent	2.8	3.2	210	400	35°
BL-XJC361-F3	Amber	600-610		2.2	2.6	317	715	

Part No.	Emitted Color	λd (nm)	Lens Appearance	Vf(V) @I _F =20mA		Iv(mcd) @I _F =20mA		Viewing Angle 2θ _{1/2} (deg)
				Typ.	Max.	Min.	Typ.	
BL-XGEKC361-F3	Yellow Green	566-576	Transparent	2.0	2.4	1.0	2.0	35°
	Yellow	584-594		2.0	2.4	210	400	

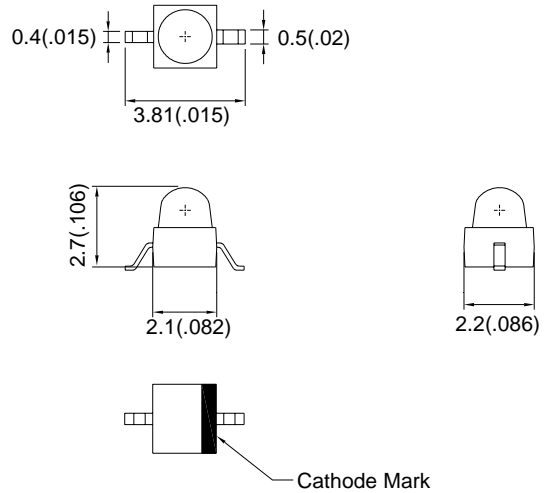
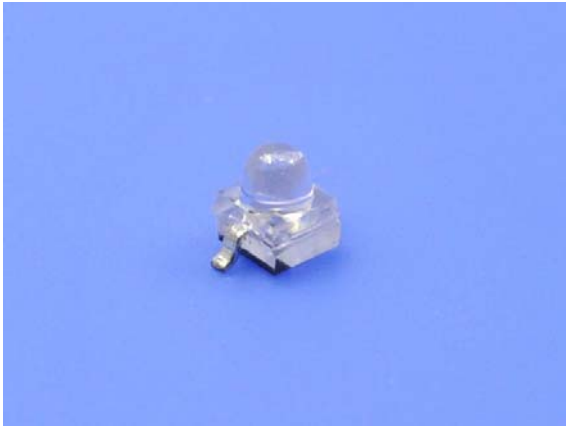
AXIAL LED 361-F4 2.7T



Part No.	Emitted Color	λd (nm)	Lens Appearance	Vf(V) @I _F =20mA		I _v (mcd) @I _F =20mA		Viewing Angle 2θ _{1/2} (deg)
				Typ.	Max.	Min.	Typ.	
BL-XJL361-F4	Orange Red	615-625	Transparent	2.0	2.4	715	1600	35°
BL-XKT361-F4	Orange Red	584-594		2.2	2.6	140	317	

Part No.	Emitted Color	λd (nm)	Lens Appearance	Vf(V) @I _F =20mA		I _v (mcd) @I _F =20mA		Viewing Angle 2θ _{1/2} (deg)
				Typ.	Max.	Min.	Typ.	
BL-XKCGF361-F4	Yellow	584-594	Transparent	2.2	2.6	715	1400	35°
	Yellow Green	566-576		2.2	2.6	94	210	

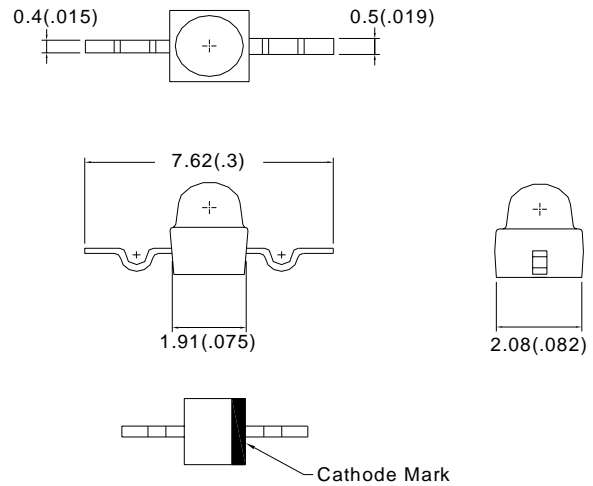
AXIAL LED 361-TR7 2.7T



Part No.	Emitted Color	λd (nm)	Lens Appearance	Vf(V) @ $I_F=5mA$		Iv(mcd) @ $I_F=5mA$		Viewing Angle $2\theta_{1/2}$ (deg)
				Typ.	Max.	Min.	Typ.	
BL-XB3361-TR7	Blue	460-475	Transparent	3.2	3.6	210	400	35°
BL-XGE361-TR7	Yellow Green	566-576		2.2	2.6	94	210	
BL-XKC361-TR7	Yellow	584-594		2.2	2.6	210	400	
BL-XUF361-TR7	Red	620-640		2.2	2.6	140	317	
BL-XD0361-TR7	Red	638-648		2.2	2.6	140	317	

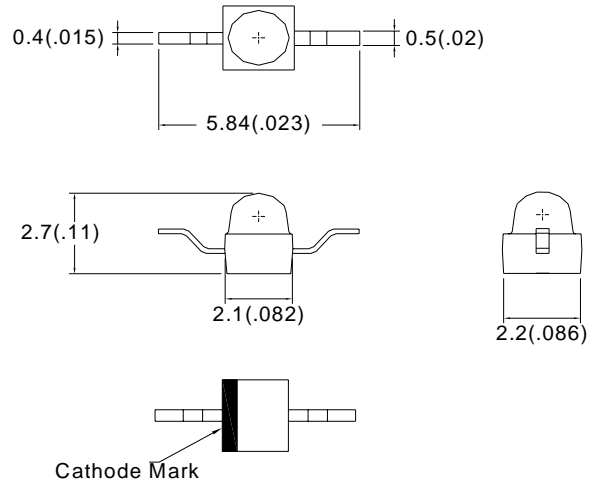
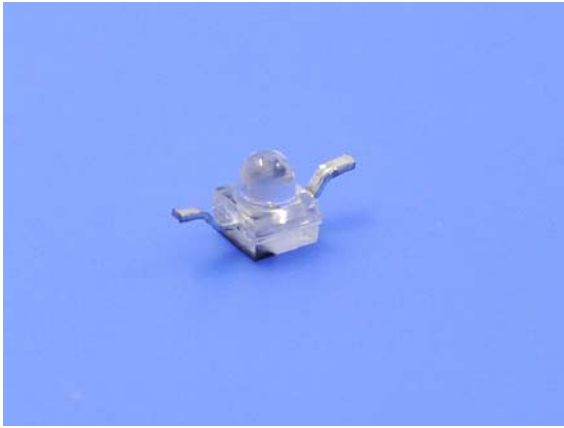
Part No.	Emitted Color	X	Y	Lens Appearance	Vf(V) @ $I_F=20mA$		Iv(mcd) @ $I_F=20mA$		Viewing Angle $2\theta_{1/2}$ (deg)
		Typ.	Typ.		Typ.	Max.	Min.	Typ.	
BL-XZ3361-TR7	White	0.265	0.33	Yellow Clear	2.8	3.2	94	200	35°

AXIAL LED 361-TR8 2.7T



Part No.	Emitted Color	λd (nm)	Lens Appearance	Vf(V) @ $I_F=20mA$		Iv(mcd) @ $I_F=20mA$		Viewing Angle $2\theta_{1/2}$ (deg)
				Typ.	Max.	Min.	Typ.	
BL-XG0361-TR8	Yellow Green	566-576	Transparent	2.2	2.6	28	50	35°
BL-XY0361-TR8	Yellow	584-594		2.2	2.6	28	63	
BL-XS1361-TR8	Red	638-648		2.2	2.6	42	80	

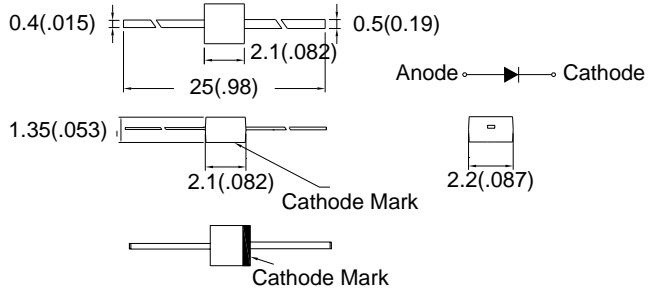
AXIAL LED 361-TR9 2.7T



Part No.	Emitted Color	λ d(nm)	Lens Appearance	Vf(V) @ $I_F=20\text{mA}$		Iv(mcd) @ $I_F=20\text{mA}$		Viewing Angle $2\theta_{1/2}$ (deg)
				Typ.	Max.	Min.	Typ.	
BL-XG8361-TR9	Green	520-535	Transparent	3.2	3.6	1600	3000	35°
BL-XG0361-TR9	Yellow Green	566-576		2.2	2.6	28	50	
BL-XY0361-TR9	Yellow	584-594		2.2	2.6	28	63	
BL-XUB361-TR9	Red	620-640		2.2	2.6	140	317	
BL-XSB361-TR9	Red	638-648		2.2	2.6	42	82	

Part No.	Emitted Color	X	Y	Lens Appearance	Vf(V) @ $I_F=20\text{mA}$		Iv(mcd) @ $I_F=20\text{mA}$		Viewing Angle $2\theta_{1/2}$ (deg)
		Typ.	Typ.		Typ.	Max.	Min.	Typ.	
BL-XZ3361-TR9	White	0.265	0.33	Yellow Clear	2.8	3.2	94	200	35°

AXIAL LED 362-1.35T(Multi-color)

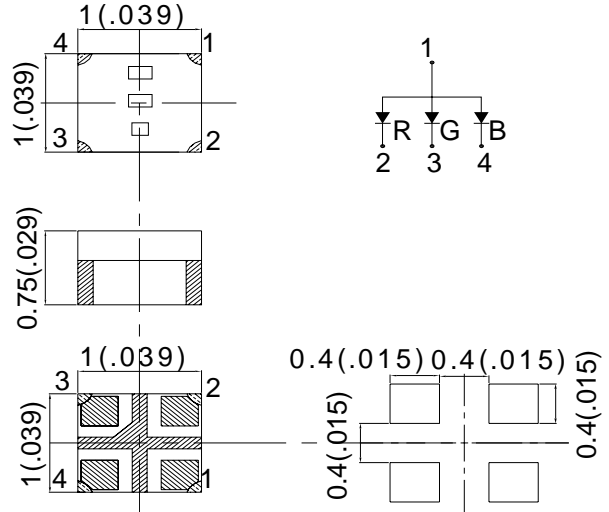
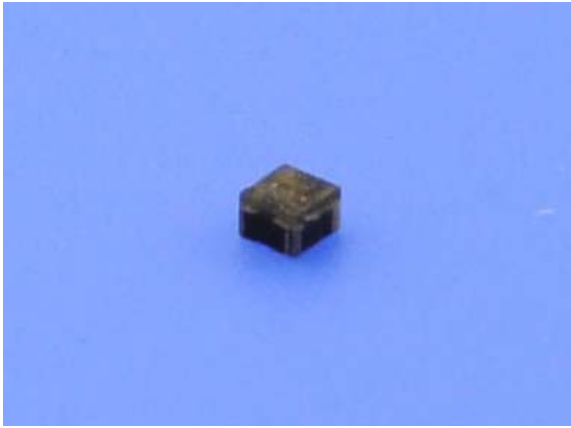


Part No.	Emitted Color	λd (nm)	Lens Appearance	Vf(V) @ $I_F=5mA$		Iv(mcd) @ $I_F=5mA$		Viewing Angle $2\theta_{1/2}$ (deg)
				Typ.	Max.	Min.	Typ.	
BL-XB5362	Blue	460-475	Transparent	3.2	3.6	42	100	35°

Part No.	Emitted Color	λd (nm)	Lens Appearance	Vf(V) @ $I_F=20mA$		Iv(mcd) @ $I_F=20mA$		Viewing Angle $2\theta_{1/2}$ (deg)
				Typ.	Max.	Min.	Typ.	
BL-XUF362	Red	620-640	Transparent	2.2	2.6	140	317	120°

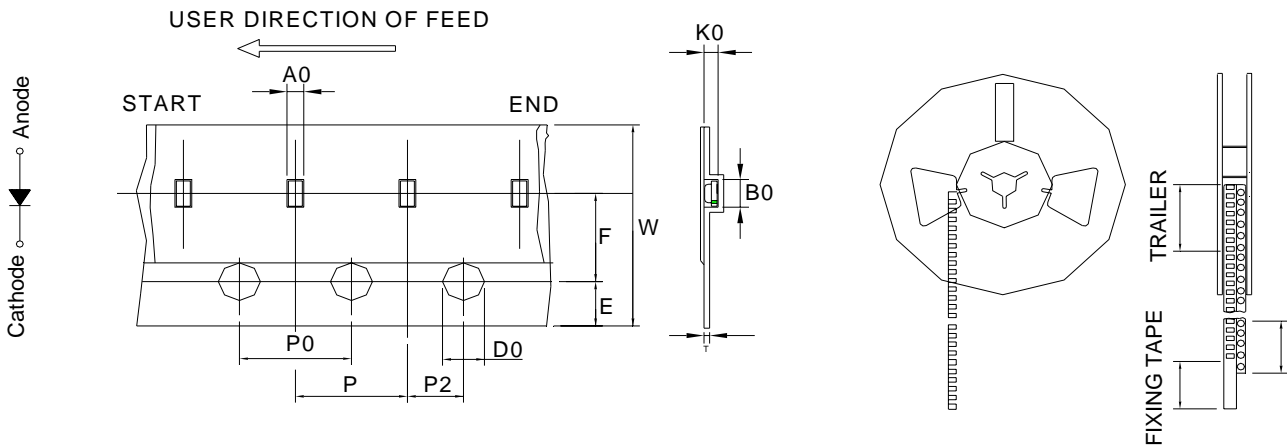
Part No.	Emitted Color	X	Y	λd (nm)	Lens Appearance	Vf(V) @ $I_F=20mA$		IV(mcd) @ $I_F=20mA$		Viewing Angle $2\theta_{1/2}$ (deg)
		Typ.	Typ.			Typ.	Max.	Min.	Typ.	
BL-XKCZ3362-L23	Yellow	/		584-594	Transparent	2.2	2.6	42.0	90.0	140°
	White	0.2	0.2			3.2	3.6	94.0	200.0	

SMD LED 1010RGB-0.75T(Multi-color)



Part No.	Emitted Color	λd (nm)	Lens Appearance	Vf(V) @I _F =20mA		IV(mcd) @I _F =20mA		Viewing Angle 2θ _{1/2} (deg)
				Typ.	Max.	Min.	Typ.	
BL-H1010RGB	Red	620-640	Transparent	2.0	2.4	18.5	35.0	120°
	Green	520-535		2.8	3.2	42.0	94.0	
	Blue	460-475		2.8	3.2	8.2	18.5	

SMD LED 0402-Tapping



● **DEVICE NUMBER:BL-Hxxx7A-TRB**

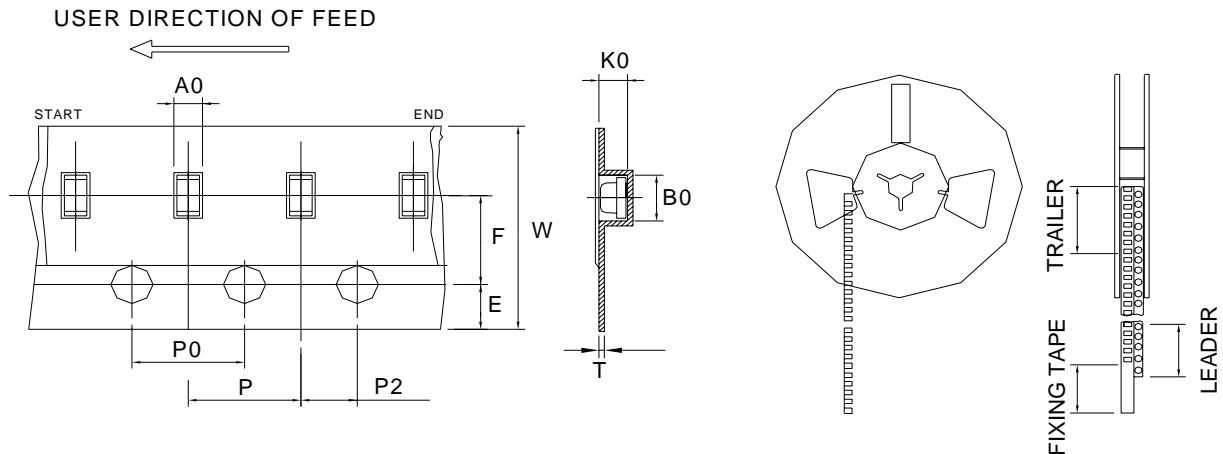
● **FEATURES:**

- Compatible with automatic placement equipment
- Surface Mount assembly lamp
- High efficiency low power consumption
- Long life solid state reliability

● **TAPPING AND PACKAGING SPECIFICATION**

ITEM	SYMBOL	SPECIFICATION			
		Minimum		Maximum	
		mm	Inch	mm	Inch
Tape Feed Hole Diameter(DIA)	D0	1.40	0.05	1.60	0.62
Feed Hole Location	E	1.65	0.06	1.85	0.74
Centers Line Dimedsions Ledgth Direction	F	3.00	0.12	4.00	1.60
Compartment Depth	K0	0.50	0.02	0.60	0.24
Compartment Pitch	P	3.90	0.15	4.10	1.64
Sprocket Hole Diameter	P0	3.90	0.15	4.10	1.64
Centers Line Dimedsions Ledgth Direction	P2	1.95	0.08	2.05	0.82
Carrier Tape Width	W	7.90	0.31	8.30	3.31
Tape thickness	T	0.234	0.009	0.274	0.109
Compartment Length	A0	0.53	0.02	0.63	0.25
Compartment Width	B0	1.13	0.04	1.23	0.49

SMD LED 0603-Tapping



● **DEVICE NUMBER:BL-Hxxx6D-TRB/BL-Hxxx6R-TRB/BIR-Hxxx6D/BPT-Hxxx6D-TRB**

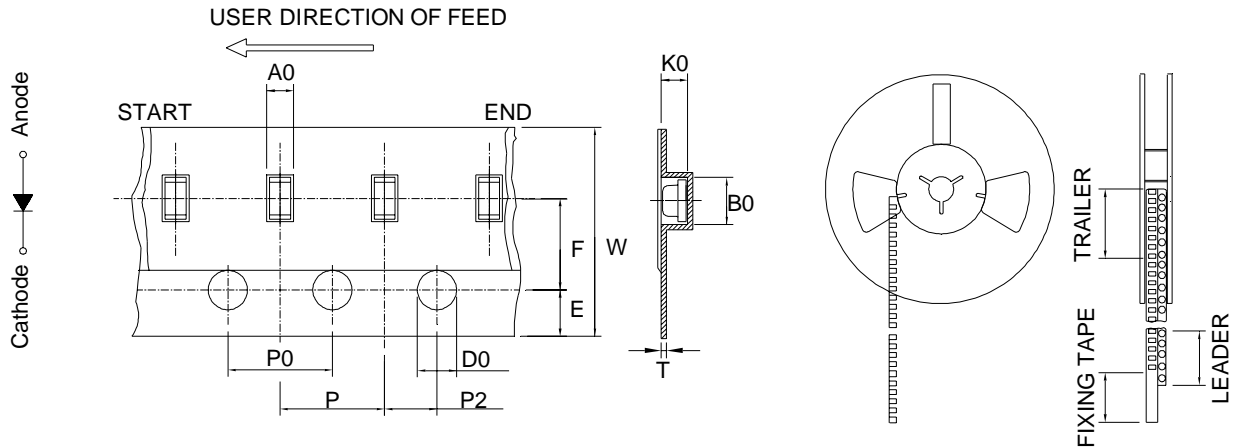
● **FEATURES:**

- Compatible with automatic placement equipment
- Surface Mount assembly lamp
- High efficiency low power consumption
- Long life solid state reliability

● **TAPPING AND PACKAGING SPECIFICATION**

ITEM	SYMBOL	SPECIFICATION			
		Minimum		Maximum	
		mm	Inch	mm	Inch
Tape Feed Hole Diameter(DIA)	D0	1.50	0.06	1.60	0.62
Feed Hole Location	E	1.65	0.06	1.85	0.74
Centers Line Dimedsions Ledgth Direction	F	3.45	0.13	3.55	1.42
Compartment Depth	K0	0.85	0.03	1.00	0.40
Compartment Pitch	P	3.90	0.15	4.10	1.64
Sprocket Hole Diameter	P0	3.90	0.15	4.10	1.64
Centers Line Dimedsions Ledgth Direction	P2	1.95	0.08	2.05	0.82
Carrier Tape Width	W	0.79	0.03	0.81	0.32
Tape thickness	T	0.15	0.01	0.25	0.10
Compartment Length	A0	0.85	0.03	0.95	0.38
Compartment Width	B0	1.75	0.07	1.85	0.74

SMD LED 0603-Tapping



- **DEVICE NUMBER: BL-Hxxx6A-TRB/ BL-Hxxx6P-TRB/BIR-Hxxx6A-TRB
BL-Hxxxxx6B-TRB/BL-Hxxxxx6F-TRB**

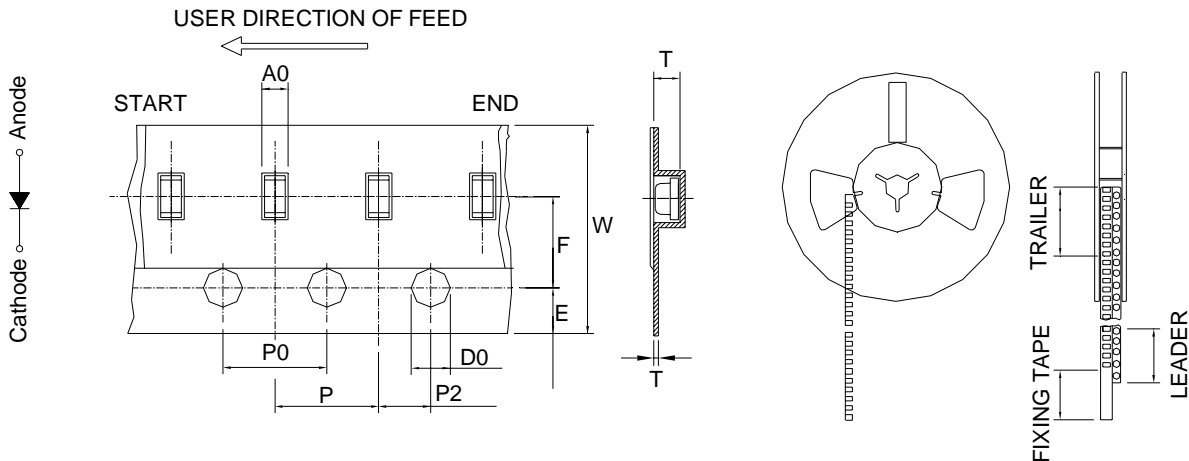
- **FEATURES:**

- Compatible with automatic placement equipment
- Surface Mount assembly lamp
- High efficiency low power consumption
- Long life solid state reliability

- **TAPPING AND PACKAGING SPECIFICATION**

ITEM	SYMBOL	SPECIFICATION			
		Minimum		Maximum	
		mm	Inch	mm	Inch
Tape Feed Hole Diameter(DIA)	D0	1.50	0.06	1.60	0.62
Feed Hole Location	E	1.65	0.06	1.85	0.74
Centers Line Dimedsions Ledgth Direction	F	3.45	0.13	3.55	1.42
Compartment Depth	K0	0.65	0.03	0.80	0.32
Compartment Pitch	P	3.90	0.15	4.10	1.64
Sprocket Hole Diameter	P0	3.90	0.15	4.10	1.64
Centers Line Dimedsions Ledgth Direction	P2	1.95	0.08	2.05	0.82
Carrier Tape Width	W	0.79	0.03	0.81	0.32
Tape thickness	T	0.15	0.01	0.25	0.10
Compartment Length	A0	0.85	0.03	0.95	0.38
Compartment Width	B0	1.75	0.07	1.85	0.74

SMD LED 0603-Tapping



● **DEVICE NUMBER:BL-Hxxx6G-TRB/BL-Hxxx6N-TRB**

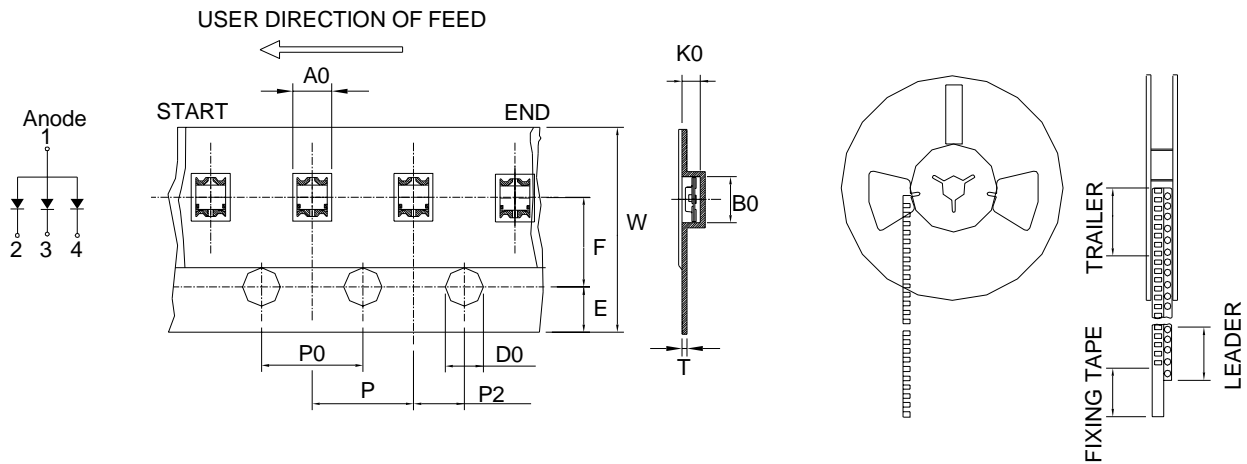
● **FEATURES:**

- Compatible with automatic placement equipment
- Surface Mount assembly lamp
- High efficiency low power consumption
- Long life solid state reliability

● **TAPPING AND PACKAGING SPECIFICATION**

ITEM	SYMBOL	SPECIFICATION			
		Minimum		Maximum	
		mm	Inch	mm	Inch
Tape Feed Hole Diameter(DIA)	D0	1.50	0.06	1.60	0.62
Feed Hole Location	E	1.65	0.06	1.85	0.74
Centers Line Dimedsions Ledgth Direction	F	3.45	0.13	3.55	1.42
Compartment Depth	K0	0.55	0.02	0.70	0.28
Compartment Pitch	P	3.90	0.15	4.10	1.64
Sprocket Hole Diameter	P0	3.90	0.15	4.10	1.64
Centers Line Dimedsions Ledgth Direction	P2	1.95	0.08	2.05	0.82
Carrier Tape Width	W	7.90	0.31	8.10	3.23
Tape thickness	T	0.15	0.01	0.25	0.10
Compartment Length	A0	0.85	0.03	0.95	0.38
Compartment Width	B0	1.75	0.07	1.85	0.74

SMD LED 0605-Tapping



● **DEVICE NUMBER: BL-Hxxxxxxx6E-TRB/ BL-Hxxxxx6J-TRB/ BL-Hxxxxxxx6K-TRB**

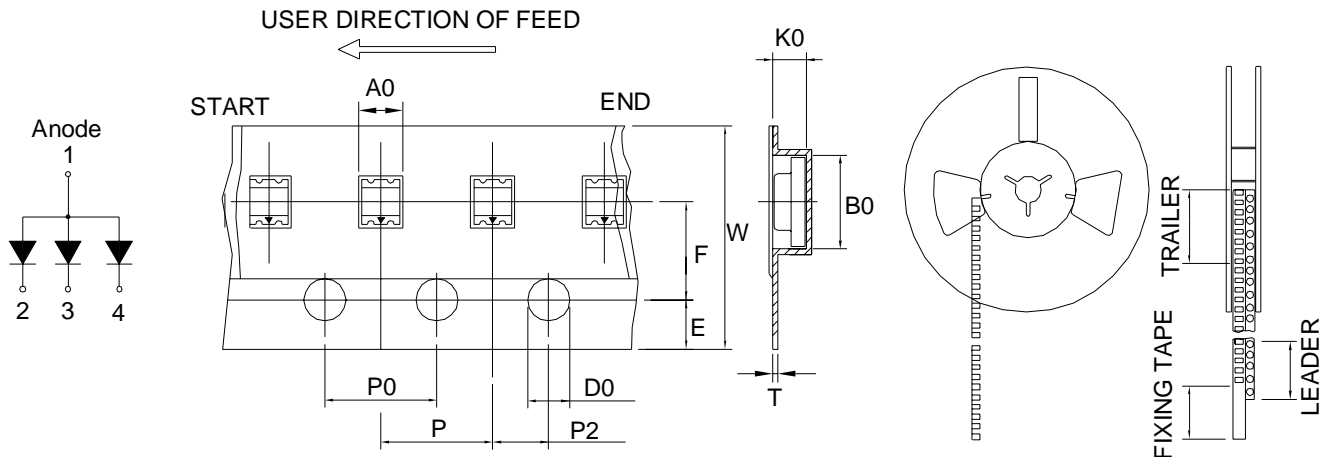
● **FEATURES:**

- Compatible with automatic placement equipment
- Surface Mount assembly lamp
- High efficiency low power consumption
- Long life solid state reliability

● **TAPPING AND PACKAGING SPECIFICATION**

ITEM	SYMBOL	SPECIFICATION			
		Minimum		Maximum	
		mm	Inch	mm	Inch
Tape Feed Hole Diameter(DIA)	D0	1.50	0.06	1.60	0.62
Feed Hole Location	E	1.65	0.06	1.85	0.74
Centers Line Dimedsions Ledgth Direction	F	3.45	0.13	3.55	1.42
Compartment Depth	K0	0.60	0.02	0.80	0.32
Compartment Pitch	P	3.90	0.15	4.10	1.64
Sprocket Hole Diameter	P0	3.90	0.15	4.10	1.64
Centers Line Dimedsions Ledgth Direction	P2	1.95	0.08	2.05	0.82
Carrier Tape Width	W	7.90	0.31	8.10	3.23
Tape thickness	T	0.15	0.01	0.25	0.10
Compartment Length	A0	0.85	0.03	0.95	0.38
Compartment Width	B0	1.75	0.07	1.85	0.74

SMD LED 0605-Tapping



● **DEVICE NUMBER: BL-Hxxxxxxx6T-TRB/BL-Hxxxxx6H-TRB**

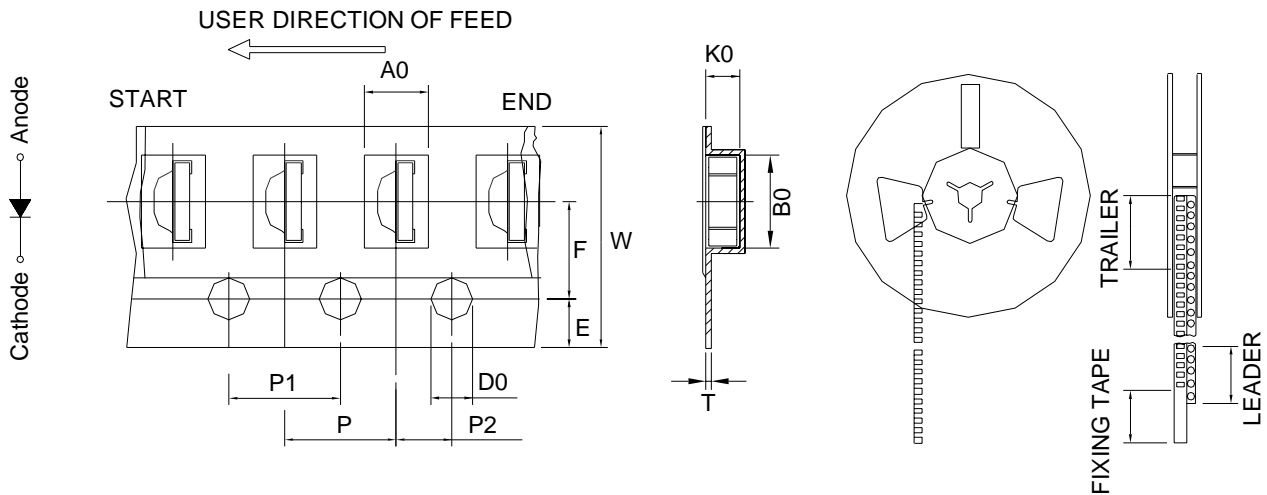
● **FEATURES:**

- Compatible with automatic placement equipment
- Surface Mount assembly lamp
- High efficiency low power consumption
- Long life solid state reliability

● **TAPPING AND PACKAGING SPECIFICATION**

ITEM	SYMBOL	SPECIFICATION			
		Minimum		Maximum	
		mm	Inch	mm	Inch
Tape Feed Hole Diameter(DIA)	D0	1.50	0.06	1.60	0.62
Feed Hole Location	E	1.65	0.06	1.85	0.74
Centers Line Dimedsions Ledgth Direction	F	3.45	0.13	3.55	1.42
Compartment Depth	K0	0.65	0.03	0.85	0.34
Compartment Pitch	P	3.90	0.15	4.10	1.64
Sprocket Hole Diameter	P0	3.90	0.15	4.10	1.64
Centers Line Dimedsions Ledgth Direction	P2	1.95	0.08	2.05	0.82
Carrier Tape Width	W	7.90	0.31	8.10	3.23
Tape thickness	T	0.15	0.01	0.25	0.10
Compartment Length	A0	1.25	0.05	1.48	0.59
Compartment Width	B0	1.70	0.07	1.90	0.76

SMD LED 0802-Tapping



● **DEVICE NUMBER: BL-Hxxx4E-TRB**

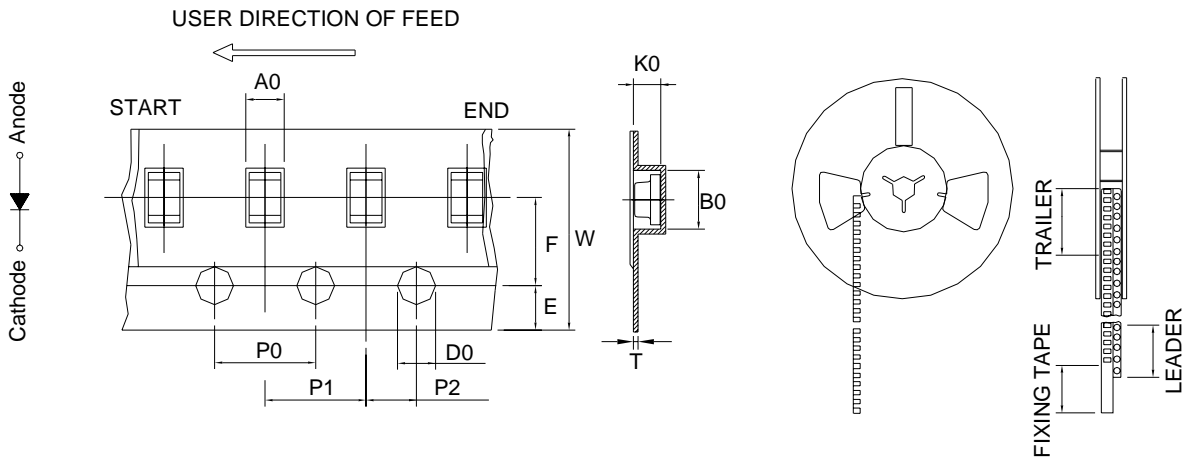
● **FEATURES:**

- Compatible with automatic placement equipment
- Surface Mount assembly lamp
- High efficiency low power consumption
- Long life solid state reliability

● **TAPPING AND PACKAGING SPECIFICATION**

ITEM	SYMBOL	SPECIFICATION			
		Minimum		Maximum	
		mm	Inch	mm	Inch
Tape Feed Hole Diameter(DIA)	D0	1.50	0.06	1.60	0.62
Feed Hole Location	E	1.65	0.06	1.85	0.74
Centers Line Dimensions Length Direction	F	3.45	0.13	3.55	1.42
Compartment Depth	K0	0.65	0.03	0.85	0.34
Compartment Pitch	P	3.90	0.15	4.10	1.64
Sprocket Hole Diameter	P0	3.90	0.15	4.10	1.64
Centers Line Dimensions Length Direction	P2	1.95	0.08	2.05	0.82
Carrier Tape Width	W	7.90	0.31	8.10	3.23
Tape thickness	T	0.15	0.01	0.25	0.10
Compartment Length	A0	1.05	0.04	1.25	0.50
Compartment Width	B0	2.25	0.09	2.45	0.98

SMD LED 0805-Tapping



● **DEVICE NUMBER: BL-Hxxx5A-TRB/ BL-Hxxx5B-TRB**

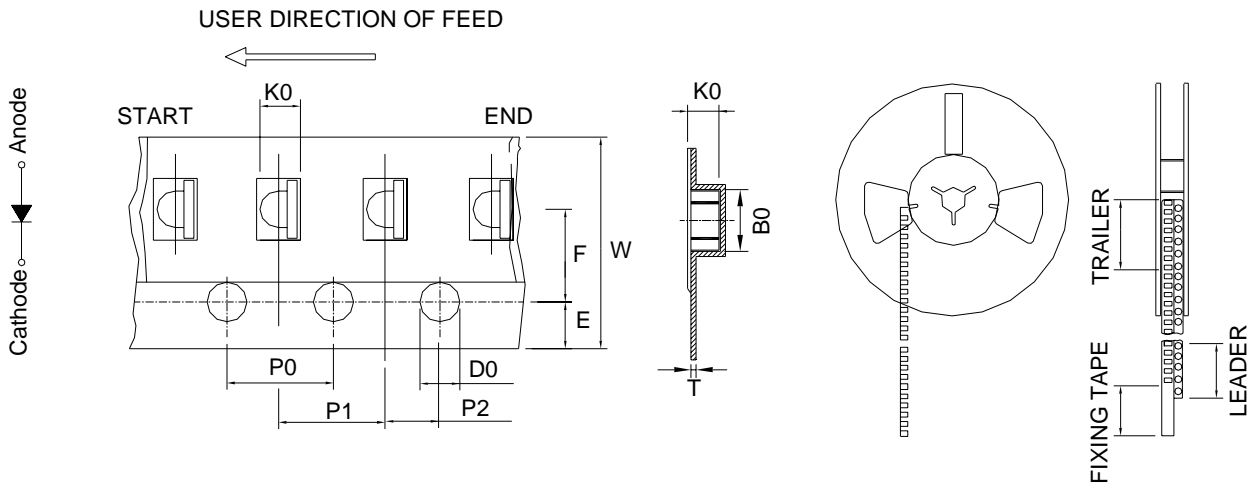
● **FEATURES:**

- Compatible with automatic placement equipment
- Surface Mount assembly lamp
- High efficiency low power consumption
- Long life solid state reliability

● **TAPPING AND PACKAGING SPECIFICATION**

ITEM	SYMBOL	SPECIFICATION			
		Minimum		Maximum	
		mm	Inch	mm	Inch
Tape Feed Hole Diameter(DIA)	D0	1.50	0.06	1.60	0.62
Feed Hole Location	E	1.65	0.06	1.85	0.74
Centers Line Dimedsions Ledgth Direction	F	3.45	0.13	3.55	1.42
Compartment Depth	K0	1.08	0.04	1.28	0.51
Compartment Pitch	P	3.90	0.15	4.10	1.64
Sprocket Hole Diameter	P0	3.90	0.15	4.10	1.64
Centers Line Dimedsions Ledgth Direction	P2	1.95	0.08	2.05	0.82
Carrier Tape Width	W	7.90	0.31	8.10	3.23
Tape thickness	T	0.15	0.01	0.25	0.10
Compartment Length	A0	1.32	0.05	1.52	0.61
Compartment Width	B0	2.15	0.08	2.35	0.94

SMD LED 1204-Tapping



● **DEVICE NUMBER: BL-Hxxx4A-TRB/BL-Hxxxxx4B-TRB/BL-Hxxxxx4J-TRB/BL-Hxxxxx4H-TRB**

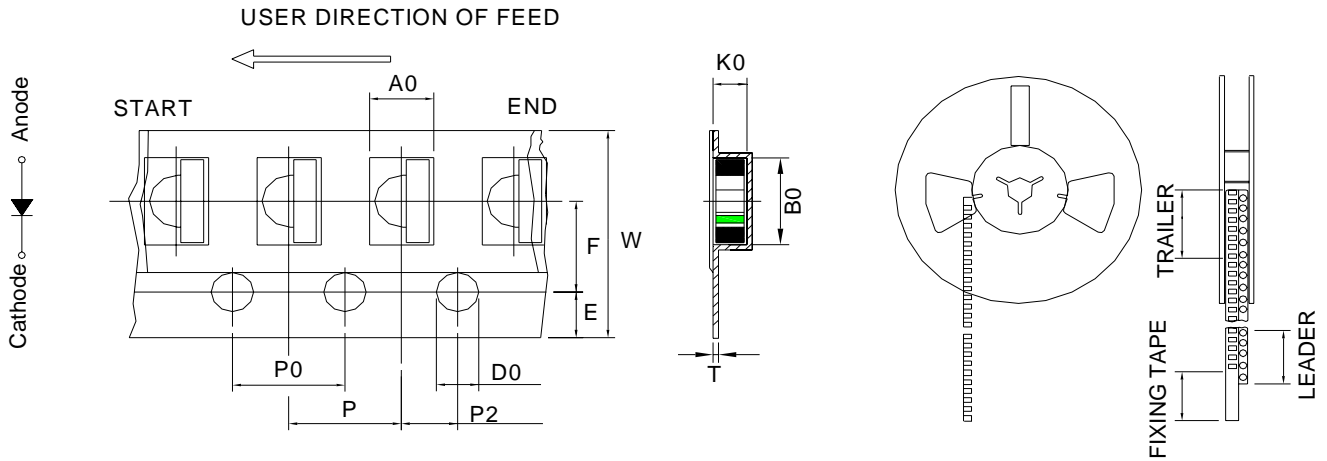
● **FEATURES:**

- Compatible with automatic placement equipment
- Surface Mount assembly lamp
- High efficiency low power consumption
- Long life solid state reliability

● **TAPPING AND PACKAGING SPECIFICATION**

ITEM	SYMBOL	SPECIFICATION			
		Minimum		Maximum	
		mm	Inch	mm	Inch
Tape Feed Hole Diameter(DIA)	D0	1.50	0.06	1.60	0.62
Feed Hole Location	E	1.65	0.06	1.85	0.74
Centers Line Dimedsions Ledgth Direction	F	3.45	0.13	3.55	1.42
Compartment Depth	K0	1.10	0.04	1.30	0.52
Compartment Pitch	P	3.90	0.15	4.10	1.64
Sprocket Hole Diameter	P0	3.90	0.15	4.10	1.64
Centers Line Dimedsions Ledgth Direction	P2	1.95	0.08	2.05	0.82
Carrier Tape Width	W	7.90	0.31	8.10	3.23
Tape thickness	T	0.15	0.01	0.25	0.10
Compartment Length	A0	2.05	0.08	2.25	0.90
Compartment Width	B0	3.30	0.13	3.50	1.40

SMD LED 1204-Tapping



● **DEVICE NUMBER: BL-Hxxx4C-TRB**

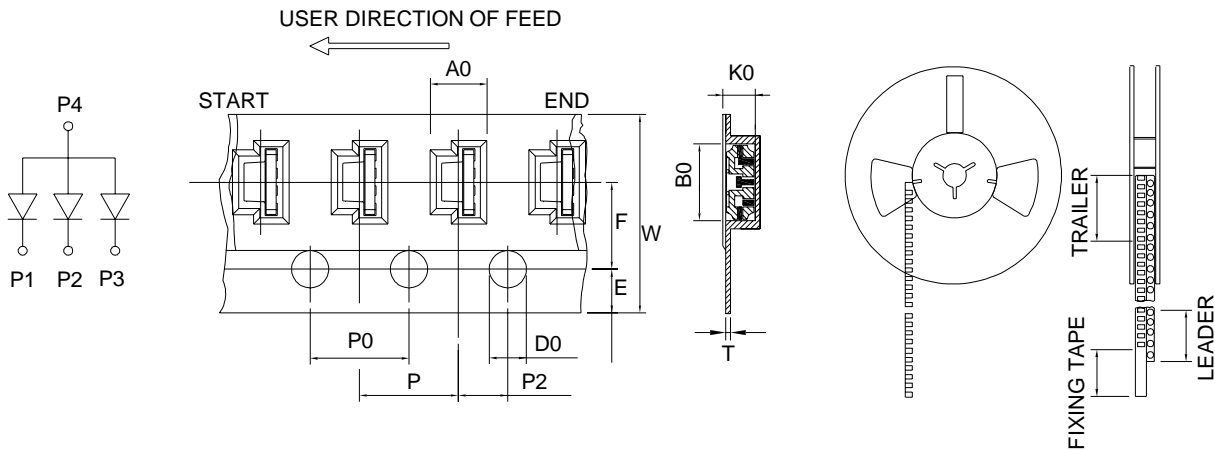
● **FEATURES:**

- Compatible with automatic placement equipment
- Surface Mount assembly lamp
- High efficiency low power consumption
- Long life solid state reliability

● **TAPPING AND PACKAGING SPECIFICATION**

ITEM	SYMBOL	SPECIFICATION			
		Minimum		Maximum	
		mm	Inch	mm	Inch
Tape Feed Hole Diameter(DIA)	D0	1.50	0.06	1.60	0.62
Feed Hole Location	E	1.65	0.06	1.85	0.74
Centers Line Dimensions Ledgth Direction	F	3.45	0.13	3.55	1.42
Compartment Depth	K0	1.45	0.06	1.65	0.66
Compartment Pitch	P	3.90	0.15	4.10	1.64
Sprocket Hole Diameter	P0	3.90	0.15	4.10	1.64
Centers Line Dimensions Ledgth Direction	P2	1.95	0.08	2.05	0.82
Carrier Tape Width	W	7.90	0.31	8.10	3.23
Tape thickness	T	0.15	0.01	0.25	0.10
Compartment Length	A0	1.70	0.07	1.90	0.76
Compartment Width	B0	3.30	0.13	3.50	1.40

SMD LED 1204-Tapping



● **DEVICE NUMBER: BL-Hxxx4S-TRB**

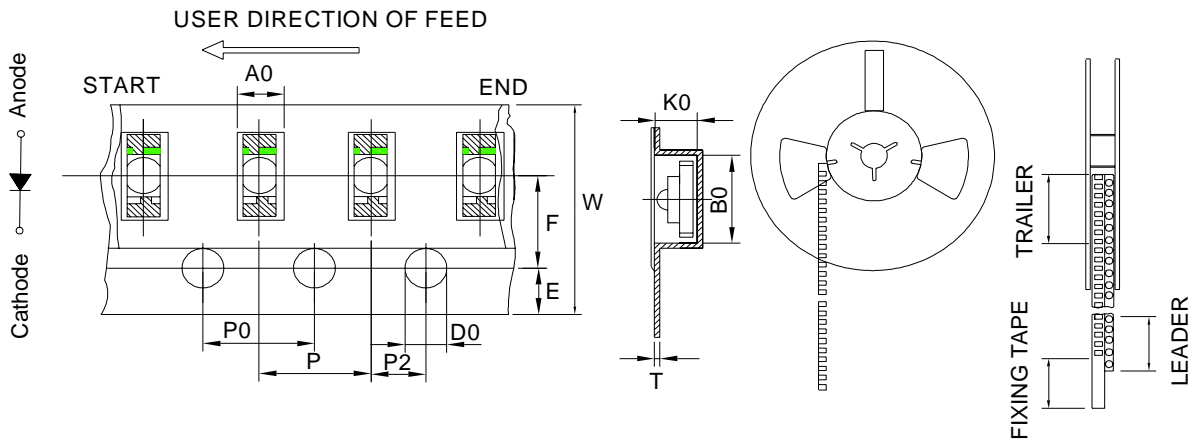
● **FEATURES:**

- Compatible with automatic placement equipment
- Surface Mount assembly lamp
- High efficiency low power consumption
- Long life solid state reliability

● **TAPPING AND PACKAGING SPECIFICATION**

ITEM	SYMBOL	SPECIFICATION			
		Minimum		Maximum	
		mm	Inch	mm	Inch
Tape Feed Hole Diameter(DIA)	D0	1.50	0.06	1.60	0.62
Feed Hole Location	E	1.65	0.06	1.85	0.74
Centers Line Dimedsions Ledgth Direction	F	3.45	0.13	3.55	1.42
Compartment Depth	K0	1.35	0.05	1.55	0.62
Compartment Pitch	P	3.90	0.15	4.10	1.64
Sprocket Hole Diameter	P0	3.90	0.15	4.10	1.64
Centers Line Dimedsions Ledgth Direction	P2	1.95	0.08	2.05	0.82
Carrier Tape Width	W	7.90	0.31	8.30	3.31
Tape thickness	T	0.23	0.01	0.27	0.11
Compartment Length	A0	1.38	0.05	1.58	0.63
Compartment Width	B0	2.80	0.11	3.00	1.20

SMD LED 1206-Tapping



● DEVICE NUMBER: BL-Hxxx3K-TRB

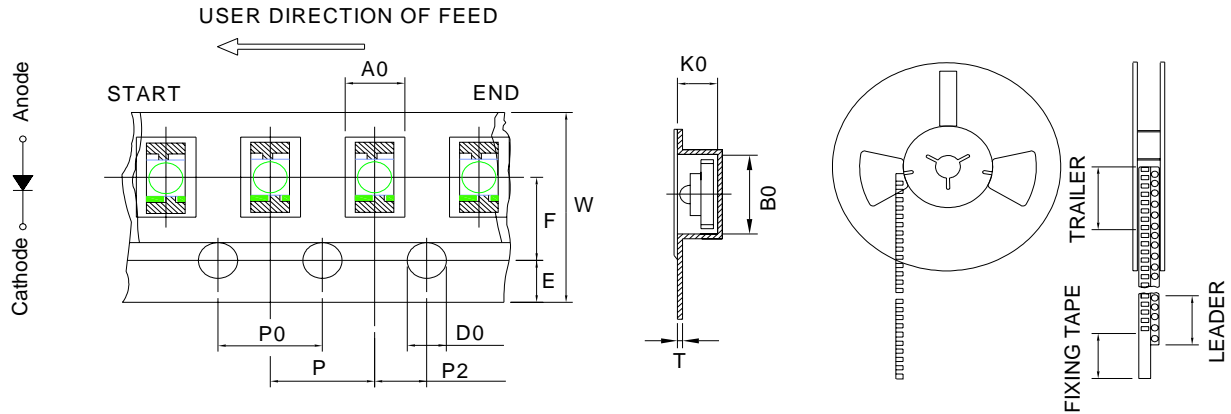
● FEATURES:

- Compatible with automatic placement equipment
- Surface Mount assembly lamp
- High efficiency low power consumption
- Long life solid state reliability

● TAPPING AND PACKAGING SPECIFICATION

ITEM	SYMBOL	SPECIFICATION			
		Minimum		Maximum	
		mm	Inch	mm	Inch
Tape Feed Hole Diameter(DIA)	D0	1.50	0.06	1.60	0.62
Feed Hole Location	E	1.65	0.06	1.85	0.74
Centers Line Dimensions Length Direction	F	5.40	0.21	5.60	2.23
Compartment Depth	K0	2.55	0.10	2.75	1.10
Compartment Pitch	P	3.90	0.15	4.10	1.64
Sprocket Hole Diameter	P0	3.90	0.15	4.10	1.64
Centers Line Dimensions Length Direction	P2	1.95	0.08	2.05	0.82
Carrier Tape Width	W	11.90	0.46	12.10	4.83
Tape thickness	T	0.25	0.01	0.35	0.14
Compartment Length	A0	1.30	0.05	1.50	0.60
Compartment Width	B0	3.30	0.13	3.50	1.40

SMD LED 1206-Tapping



● **DEVICE NUMBER: BL-Hxxx3J-TRB/BIR-Hxxx3J-TRB/BPT-Hxxx3J-TRB/BPD-Hxxx3J-TRB**

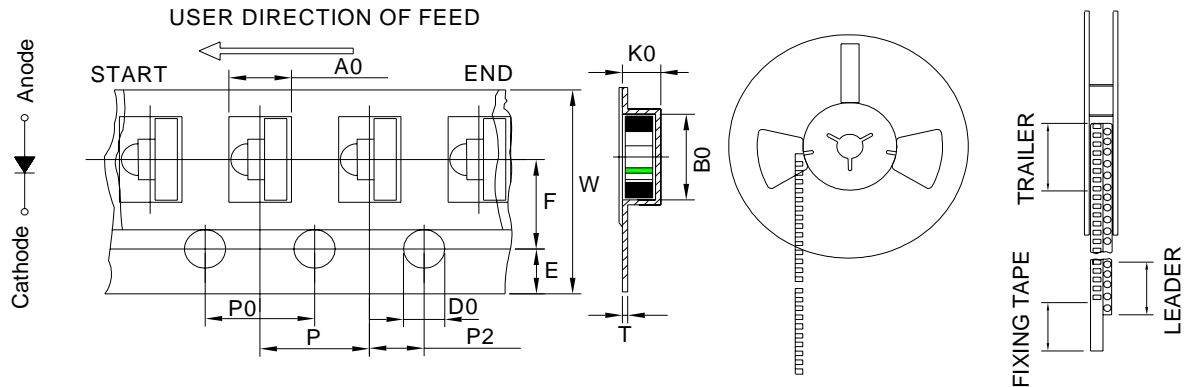
● **FEATURES:**

- Compatible with automatic placement equipment
- Surface Mount assembly lamp
- High efficiency low power consumption
- Long life solid state reliability

● **TAPPING AND PACKAGING SPECIFICATION**

ITEM	SYMBOL	SPECIFICATION			
		Minimum		Maximum	
		mm	Inch	mm	Inch
Tape Feed Hole Diameter(DIA)	D0	1.50	0.06	1.60	0.62
Feed Hole Location	E	1.65	0.06	1.85	0.74
Centers Line Dimensions Ledgth Direction	F	5.40	0.21	5.60	2.23
Compartment Depth	K0	2.60	0.10	2.80	1.12
Compartment Pitch	P	3.90	0.15	4.10	1.64
Sprocket Hole Diameter	P0	3.90	0.15	4.10	1.64
Centers Line Dimensions Ledgth Direction	P2	1.95	0.08	2.05	0.82
Carrier Tape Width	W	11.90	0.46	12.10	4.83
Tape thickness	T	0.25	0.01	0.35	0.14
Compartment Length	A0	1.70	0.07	1.90	0.76
Compartment Width	B0	3.30	0.13	3.50	1.40

SMD LED 1206-Tapping



● **DEVICE NUMBER: BL-Hxxx3J-TRC/BIR-Hxxx3J-TRC/BPT-Hxxx3J-TRC/BPD-Hxxx3J-TRC**

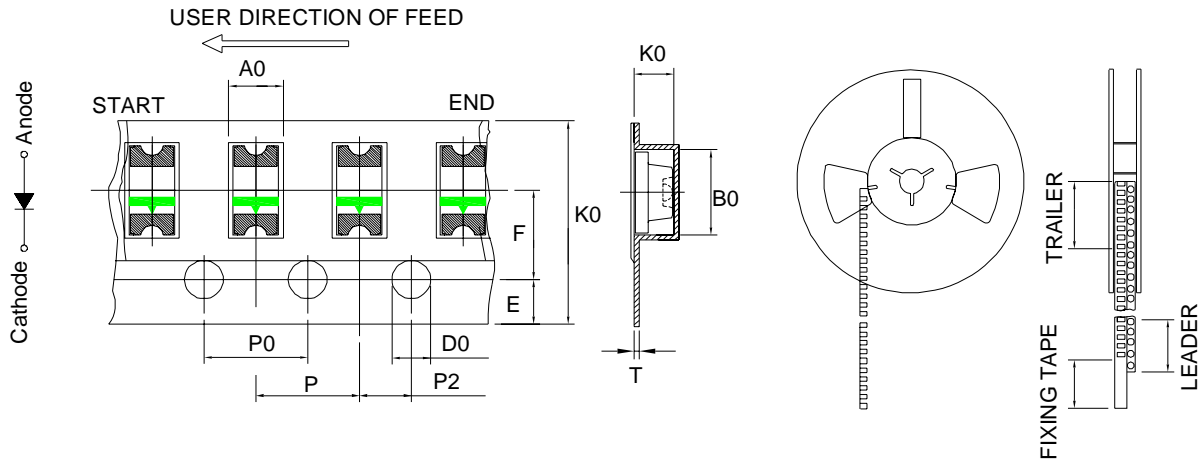
● **FEATURES:**

- Compatible with automatic placement equipment
- Surface Mount assembly lamp
- High efficiency low power consumption
- Long life solid state reliability

● **TAPPING AND PACKAGING SPECIFICATION**

ITEM	SYMBOL	SPECIFICATION			
		Minimum		Maximum	
		mm	Inch	mm	Inch
Tape Feed Hole Diameter(DIA)	D0	1.50	0.06	1.60	0.62
Feed Hole Location	E	1.65	0.06	1.85	0.74
Centers Line Dimedsions Ledgth Direction	F	5.40	0.21	5.60	2.23
Compartment Depth	K0	1.65	0.06	1.85	0.74
Compartment Pitch	P	3.90	0.15	4.10	1.64
Sprocket Hole Diameter	P0	3.90	0.15	4.10	1.64
Centers Line Dimedsions Ledgth Direction	P2	1.95	0.08	2.05	0.82
Carrier Tape Width	W	11.70	0.46	12.30	4.91
Tape thickness	T	0.25	0.01	0.35	0.14
Compartment Length	A0	2.90	0.11	2.70	1.08
Compartment Width	B0	3.30	0.13	3.50	1.40

SMD LED 1206-Tapping



● **DEVICE NUMBER: BL-Hxxx3X-TRE/ BL-Hxxx3C-TRE/ BL-Hxxx3D-TRE**

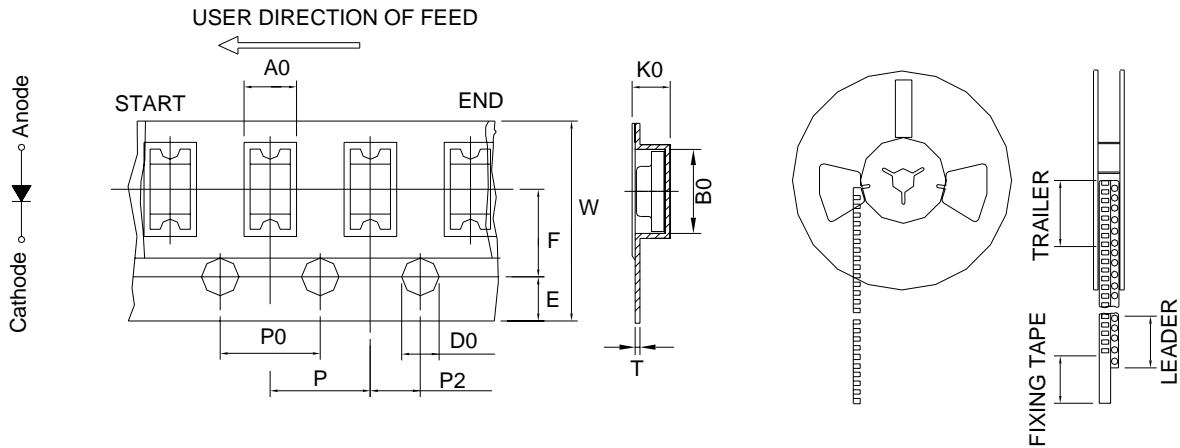
● **FEATURES:**

- Compatible with automatic placement equipment
- Surface Mount assembly lamp
- High efficiency low power consumption
- Long life solid state reliability

● **TAPPING AND PACKAGING SPECIFICATION**

ITEM	SYMBOL	SPECIFICATION			
		Minimum		Maximum	
		mm	Inch	mm	Inch
Tape Feed Hole Diameter(DIA)	D0	1.50	0.06	1.60	0.62
Feed Hole Location	E	1.65	0.06	1.85	0.74
Centers Line Dimedsions Ledgth Direction	F	3.25	0.13	3.55	1.42
Compartment Depth	K0	0.55	0.02	0.75	0.30
Compartment Pitch	P	3.90	0.15	4.10	1.64
Sprocket Hole Diameter	P0	3.90	0.15	4.10	1.64
Centers Line Dimedsions Ledgth Direction	P2	1.95	0.08	2.05	0.82
Carrier Tape Width	W	7.90	0.31	8.30	3.31
Tape thickness	T	0.20	0.01	0.30	0.12
Compartment Length	A0	1.75	0.07	1.95	0.78
Compartment Width	B0	3.30	0.13	3.50	1.40

SMD LED 1206-Tapping



- **DEVICE NUMBER:** BL-Hxxx3H-TRB/BL-Hxxx3-TRB/BPD-HQxx3-TRB/ BL-Hxxx3A-TRB
/BL-Hxxxxx3-TRB/BIR-Hxxx3-TRB/BPT-Hxxx3-TRB/ BIR-Hxxx3A-TRB

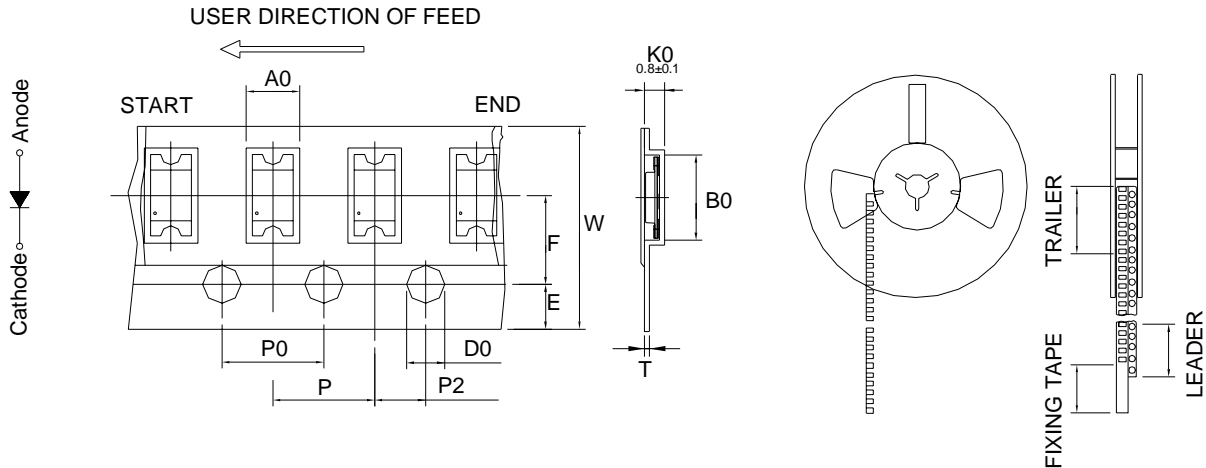
- **FEATURES:**

- Compatible with automatic placement equipment
- Surface Mount assembly lamp
- High efficiency low power consumption
- Long life solid state reliability

- **TAPPING AND PACKAGING SPECIFICATION**

ITEM	SYMBOL	SPECIFICATION			
		Minimum		Maximum	
		mm	Inch	mm	Inch
Tape Feed Hole Diameter(DIA)	D0	1.50	0.06	1.60	0.62
Feed Hole Location	E	1.65	0.06	1.85	0.74
Centers Line Dimedsions Ledgth Direction	F	3.45	0.13	3.55	1.42
Compartment Depth	K0	1.65	0.06	1.85	0.74
Compartment Pitch	P	3.90	0.15	4.10	1.64
Sprocket Hole Diameter	P0	3.90	0.15	4.10	1.64
Centers Line Dimedsions Ledgth Direction	P2	1.95	0.08	2.05	0.82
Carrier Tape Width	W	7.90	0.31	8.10	3.23
Tape thickness	T	0.15	0.01	0.25	0.10
Compartment Length	A0	1.70	0.07	1.90	0.76
Compartment Width	B0	3.30	0.13	3.50	1.40

SMD LED 1206-Tapping



● **DEVICE NUMBER: BL-Hxxx3Q-TRB**

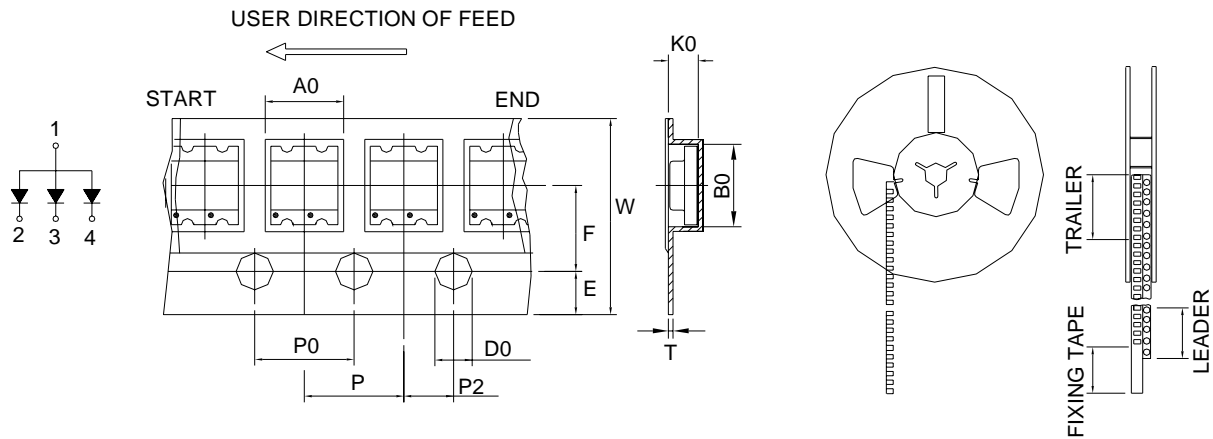
● **FEATURES:**

- Compatible with automatic placement equipment
- Surface Mount assembly lamp
- High efficiency low power consumption
- Long life solid state reliability

● **TAPPING AND PACKAGING SPECIFICATION**

ITEM	SYMBOL	SPECIFICATION			
		Minimum		Maximum	
		mm	Inch	mm	Inch
Tape Feed Hole Diameter(DIA)	D0	1.50	0.06	1.60	0.62
Feed Hole Location	E	1.65	0.06	1.85	0.74
Centers Line Dimensions Ledgth Direction	F	3.45	0.13	3.55	1.42
Compartment Depth	K0	0.64	0.02	0.84	0.34
Compartment Pitch	P	3.90	0.15	4.10	1.64
Sprocket Hole Diameter	P0	3.90	0.15	4.10	1.64
Centers Line Dimensions Ledgth Direction	P2	1.95	0.08	2.05	0.82
Carrier Tape Width	W	7.90	0.31	8.30	3.31
Tape thickness	T	0.22	0.01	0.22	0.09
Compartment Length	A0	1.63	0.06	1.83	0.73
Compartment Width	B0	3.30	0.13	3.50	1.40

SMD LED 1210-Tapping



● **DEVICE NUMBER: BL-Hxxxxxxx3T-TRB/BL-Hxxxxxxx3F-TRB/BL-Hxxxxx3B-TRB**

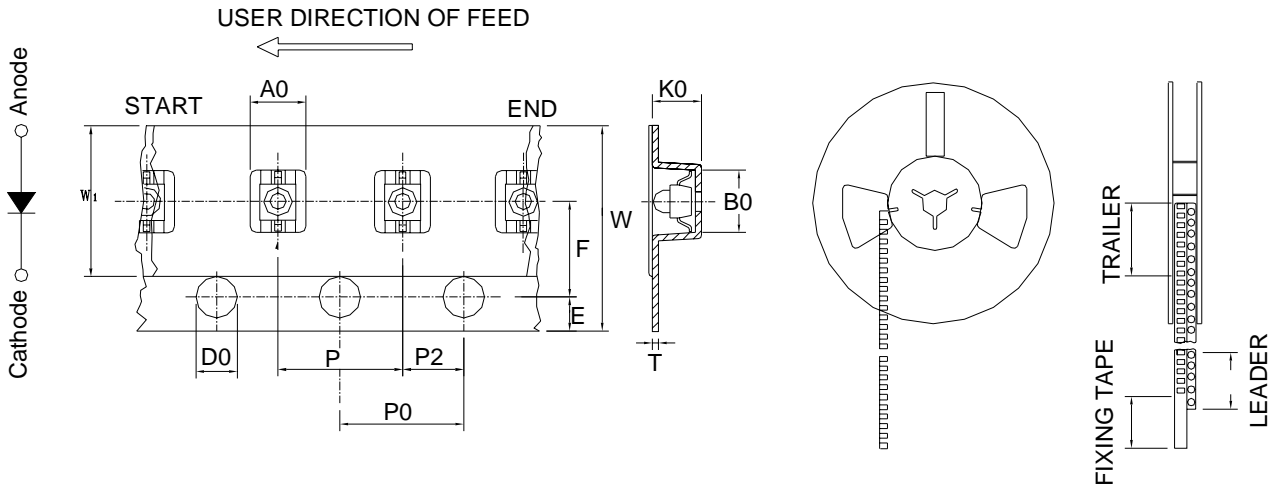
● **FEATURES:**

- Compatible with automatic placement equipment
- Surface Mount assembly lamp
- High efficiency low power consumption
- Long life solid state reliability

● **TAPPING AND PACKAGING SPECIFICATION**

ITEM	SYMBOL	SPECIFICATION			
		Minimum		Maximum	
		mm	Inch	mm	Inch
Tape Feed Hole Diameter(DIA)	D0	1.50	0.06	1.60	0.62
Feed Hole Location	E	1.65	0.06	1.85	0.74
Centers Line Dimensions Ledgth Direction	F	3.45	0.13	3.55	1.42
Compartment Depth	K0	1.15	0.04	1.35	0.54
Compartment Pitch	P	3.90	0.15	4.10	1.64
Sprocket Hole Diameter	P0	3.90	0.15	4.10	1.64
Centers Line Dimensions Ledgth Direction	P2	1.95	0.08	2.05	0.82
Carrier Tape Width	W	7.90	0.31	8.10	3.23
Tape thickness	T	0.15	0.01	0.25	0.10
Compartment Length	A0	2.80	0.11	3.00	1.20
Compartment Width	B0	3.30	0.13	3.50	1.40

AXIAL LED TR7-Tapping



● **DEVICE NUMBER: BL-Hxxx61-TR7**

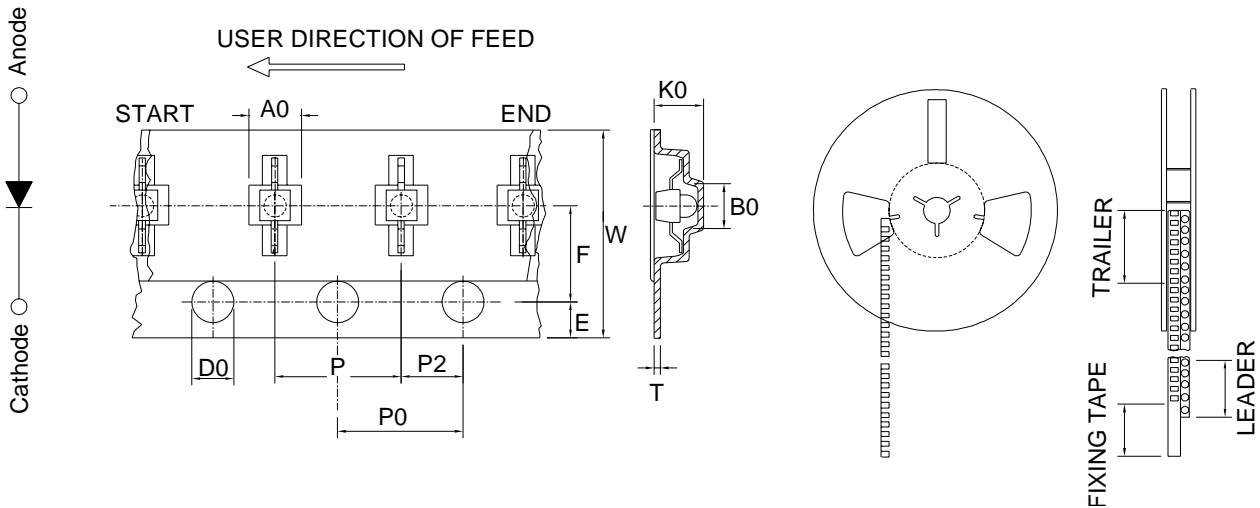
● **FEATURES:**

- Compatible with automatic placement equipment
- Surface Mount assembly lamp
- High efficiency low power consumption
- Long life solid state reliability

● **TAPPING AND PACKAGING SPECIFICATION**

ITEM	SYMBOL	SPECIFICATION			
		Minimum		Maximum	
		mm	Inch	mm	Inch
Tape Feed Hole Diameter(DIA)	D0	1.50	0.06	1.60	0.62
Feed Hole Location	E	1.65	0.06	1.85	0.74
Centers Line Dimedsions Ledgth Direction	F	5.40	0.21	5.60	2.23
Compartment Depth	K0	2.75	0.11	2.95	1.18
Compartment Pitch	P	3.90	0.15	4.10	1.64
Sprocket Hole Diameter	P0	3.90	0.15	4.10	1.64
Centers Line Dimedsions Ledgth Direction	P2	1.95	0.08	2.05	0.82
Carrier Tape Width	W	11.70	0.46	12.30	4.91
Tape thickness	T	0.35	0.01	0.45	0.18
Compartment Length	A0	2.45	0.10	2.65	1.06
Compartment Width	B0	2.50	0.10	2.70	1.08

AXIAL LED TR8-Tapping



● **DEVICE NUMBER: BL-Hxxx61-TR8**

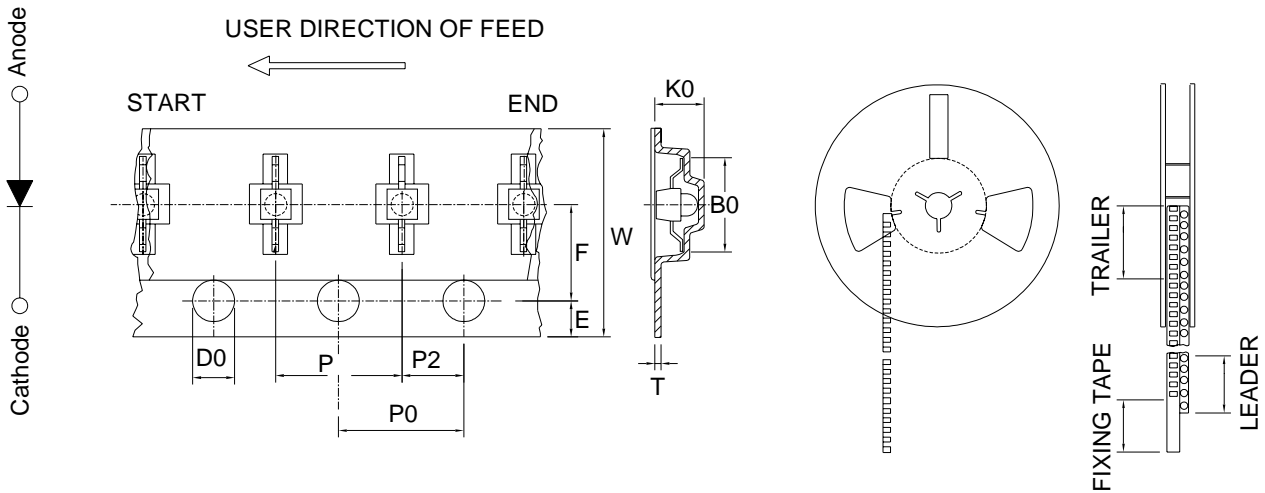
● **FEATURES:**

- Compatible with automatic placement equipment
- Surface Mount assembly lamp
- High efficiency low power consumption
- Long life solid state reliability

● **TAPPING AND PACKAGING SPECIFICATION**

ITEM	SYMBOL	SPECIFICATION			
		Minimum		Maximum	
		mm	Inch	mm	Inch
Tape Feed Hole Diameter(DIA)	D0	1.50	0.06	1.60	0.62
Feed Hole Location	E	1.65	0.06	1.85	0.74
Centers Line Dimedsions Ledgth Direction	F	5.45	0.21	5.55	2.21
Compartment Depth	K0	3.02	0.12	3.22	1.28
Compartment Pitch	P	3.90	0.15	4.10	1.64
Sprocket Hole Diameter	P0	3.90	0.15	4.10	1.64
Centers Line Dimedsions Ledgth Direction	P2	1.95	0.08	2.05	0.82
Carrier Tape Width	W	12.00	0.47	12.30	4.91
Tape thickness	T	16.00	0.62	18.40	7.34
Compartment Length	A0	2.29	0.09	2.49	0.99
Compartment Width	B0	7.62	0.30	7.82	3.12

AXIAL LED TR9-Tapping



● **DEVICE NUMBER: BL-Hxxx61-TR9**

● **FEATURES:**

- Compatible with automatic placement equipment
- Surface Mount assembly lamp
- High efficiency low power consumption
- Long life solid state reliability

● **TAPPING AND PACKAGING SPECIFICATION**

ITEM	SYMBOL	SPECIFICATION			
		Minimum		Maximum	
		mm	Inch	mm	Inch
Tape Feed Hole Diameter(DIA)	D0	1.50	0.06	1.60	0.62
Feed Hole Location	E	1.65	0.06	1.85	0.74
Centers Line Dimedsions Ledgth Direction	F	5.40	0.21	5.60	2.23
Compartment Depth	K0	3.20	0.12	3.40	1.36
Compartment Pitch	P	3.90	0.15	4.10	1.64
Sprocket Hole Diameter	P0	3.90	0.15	4.10	1.64
Centers Line Dimedsions Ledgth Direction	P2	1.95	0.08	2.05	0.82
Carrier Tape Width	W	11.97	0.47	12.30	4.91
Tape thickness	T	0.35	0.01	0.45	0.18
Compartment Length	A0	2.45	0.10	2.65	1.06
Compartment Width	B0	2.15	0.08	2.35	0.94